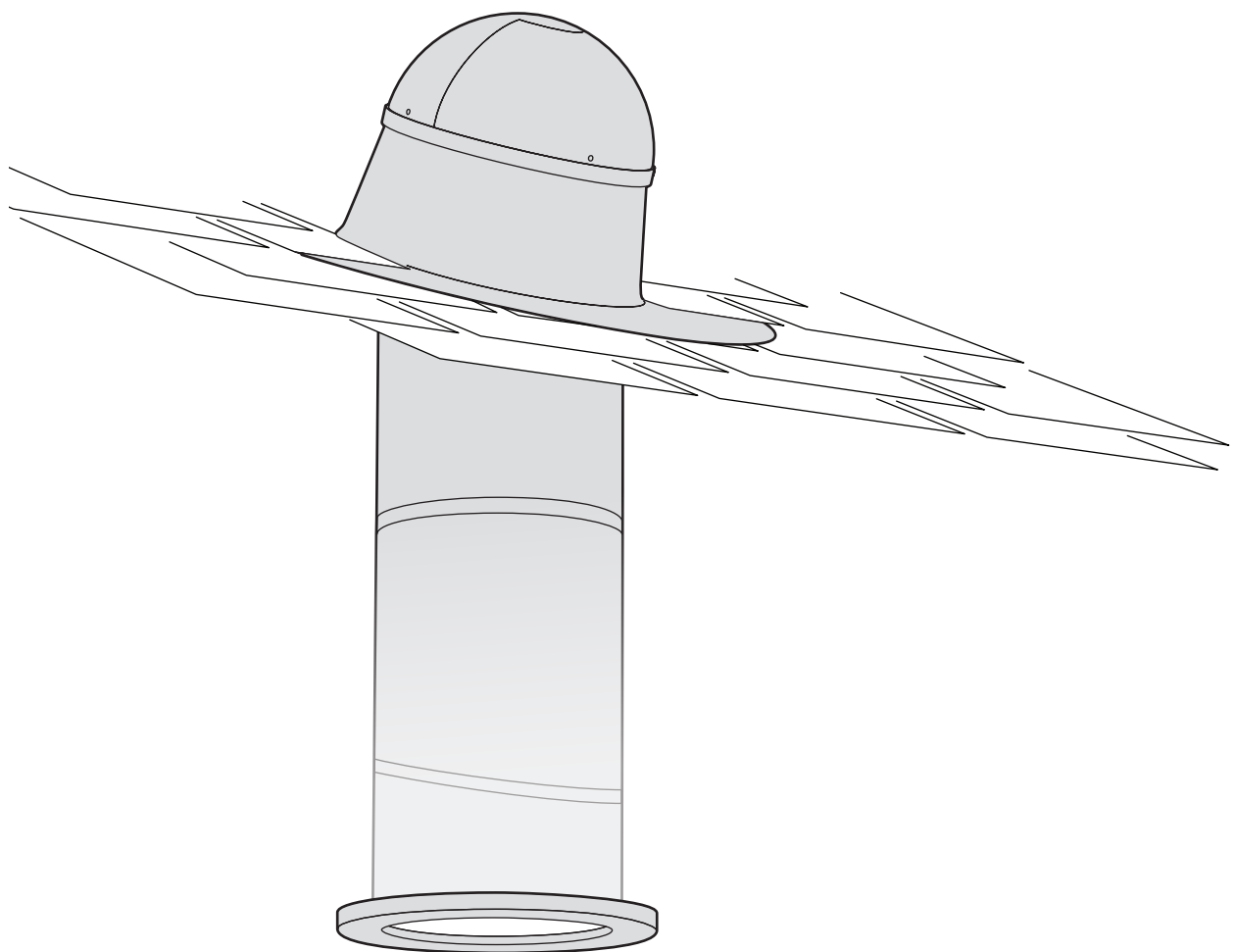


# Wasco SkyTube

TUBULAR SKYLIGHT

## Installation Instructions



### Important

Be sure to first read and then follow all step-by-step instructions completely. This will help to insure proper installation and functionality. Expect installation to take from 1 to 3 hours.

# Section i

## What You Need To Know

### REVIEW THIS INFORMATION PRIOR TO BEGINNING INSTALLATION

These instructions have been designed to help install your Wasco Skytube easily and safely. We've included a parts list, list of tools required, installation instructions for a variety of ceiling types, handy tips, and safety precautions. Please read these instructions thoroughly before installing your Wasco Skytube. Pay particular attention to the assembly diagrams, assembly order, and part names. Identify and organize all parts before assembly. Make a list of the tools and components you will need for each installation location. Following these instructions carefully will greatly enhance your ability to install your Skytube and enjoy flawless performance for many years.

#### Caution


The Skytube is not designed to hold your weight or the weight of tools or other objects. Walking/placing objects on the SkyTube could cause personal injury and property damage. A damaged SkyTube should be repaired immediately.

For safe installation and use, do not deviate from these installation instructions.

#### Warning:

Working on a roof is potentially dangerous but you can significantly reduce the risk by following these precautions:

- Never work in wet, windy or cold conditions. Roofing materials can be slippery when wet; asphalt shingles are brittle when cold and may crumble underfoot. Plan your installation for a calm, dry day.
- Wear shoes with slip-resistant soles.



## WARNING

**POTENTIAL FIRE HAZARD.** After removing the film lining from the interior of tube shaft, a reflective inner surface is created. **DO NOT** leave tube shaft components unattended or exposed to direct sunlight prior to full installation. Exposed surfaces may catch fire or incur heat damage as a result of focused sunlight until the tube shaft is fully installed with diffuser in place.

#### Safety information:

- Wear safety glasses and work gloves when using power tools.
- Use protective work gloves while handling tube sections to protect hands from sharp edges.

#### Pre-Installation Items to Review:

Tube Installation/Location

- Your Skytube kit comes with enough tubing for a 30" installation (50" for a Pro 3 Kit) – if you require more tubing, you can purchase additional extension tubes through your retailer.
- For best results always attempt to install the tube as straight as possible (this would locate the dome/flashing directly above the ceiling diffuser).
- Make sure that the location you pick on your roof for your dome/flashing is exposed to direct sunlight throughout the day. You will not want any trees, chimneys, etc. to cast a shadow on your tube.
- Before installation, carefully survey the attic area of your desired location. Make sure your tube can avoid any wiring, plumbing, roof valleys, ceiling mounted registers/fans, etc.

For cathedral ceiling, see Section 10.  
For long tube shaft installation, see Section 11.  
For 14" skylight with 16" on-center rafter spacing see Section 5.

#### Building Codes:

- Consult your local building official about local construction ordinances before starting your installation.
- Consult your community covenants. Some subdivisions may not allow Skytube installed on the street side of home.

#### Determining roof pitch:

- "Roof Pitch" is how far the roof drops vertically for every 12" of horizontal run.
- Spun metal flashings can be used on flat roof to 12:12 roof pitch.
- Sloped composite flashings require a minimum pitch of 3:12 and a maximum of 12:12.

## Section ii

# Limited Warranty for Wasco Skytube

Effective 12/11

### Warranty Coverage

Subject to the conditions, exclusions and limitations herein, Wasco Products, Inc. ("Wasco") warrants that its Skytube Product ("Product") is free from defects in material and workmanship that would render the Product unfit for its normal and recommended use.

THIS LIMITED LIFETIME WARRANTY APPLIES AND EXTENDS ONLY TO THE ORIGINAL CONSUMER PURCHASING THIS PRODUCT. THE DURATION OF THIS WARRANTY BEGINS ON THE DATE OF PURCHASE BY THE CONSUMER.

### Exclusions from Coverage

This warranty does not cover:

- Defects or damages arising out of shipment by common carriers, private transportation or other means of transportation.
- Defects or damages arising out of improper handling or cleaning, defective or improper installation (including installation not in accordance with Wasco's installation instructions), accident, act of God, intentional human act, misuse or abuse, or any other circumstances beyond the control of Wasco.
- Products installed in or submitted to high heat, high moisture, high vibration, or extreme temperature changes.
- Products subjected to stress resulting from (i) localized application of heat, (ii) movement of building and /or building components, or (iii) expansion or contraction of framing members.
- Replacement products beyond the balance of the remaining warranty period applicable to the original Product or accessory which is replaced.
- Labor, shipping or other charges incurred or claimed by the Customer.
- Accessories, flashing or other installation materials manufactured or sold by persons other than Wasco.

### Warranty Claim Procedures

If within the applicable warranty period the Customer discovers a defect in the Product or an accessory which is covered by this warranty, the Customer must follow this procedure:

1. The Customer must promptly present a written claim to the Customer Service Manager, Wasco Products, Inc., 85 Spencer Drive, Unit A, Wells, ME 04090.
2. The Customer must use reasonable diligence to include in the written claim all of the following:
  - a. An adequate description of the claimed defect(s);
  - b. Identification of Product (size, design, type and model number).;
  - c. Date of the Customer's purchase, place of purchase, and the date of delivery to the Customer.
3. The Consumer must, if requested by Wasco, permit Wasco or its representative to inspect the Product either in person or via appropriate photographs of said Product.

### Remedies

After receiving a valid claim, Wasco will, at its option, provide a replacement Product (or part, as appropriate) of like kind and design.

If Wasco elects to provide a replacement Product, the limited warranty on the replacement will last only for the balance of the original Product warranty period. If the Customer fails to provide satisfactory proof of the date of purchase, the date of manufacture shall be used instead.

WASCO'S LIABILITY UNDER THIS WARRANTY IS LIMITED TO THE ABOVE, AND WASCO WILL IN NO EVENT BE RESPONSIBLE FOR SHIPPING, LABOR, REMOVAL OF ORIGINAL PRODUCT, INSTALLATION OF REPLACEMENT PRODUCT, FINISHING EXPENSES, OR OTHER CHARGES, COSTS OR CLAIMS INCURRED BY THE CONSUMER.

### Disclaimer of Warranty

NO IMPLIED WARRANTY, INCLUDING WARRANTY OF MERCHANTABILITY OR OF FITNESS FOR A PARTICULAR PURPOSE, SHALL APPLY TO THE PRODUCT (OR ANY REPLACEMENT) BEYOND THE DURATION OF THIS WRITTEN WARRANTY. (Some states/provinces do not allow limitations on how long an implied warranty lasts, so the above limitation may not apply to you.)

### Limitation of Remedies

THE REMEDIES SET FORTH ABOVE ARE THE CONSUMER'S EXCLUSIVE REMEDIES FOR BREACH OF WARRANTY OR NEGLIGENCE. IN NO CASE SHALL WASCO BE LIABLE TO THE CONSUMER OR ANY OTHER PERSON FOR ANY GENERAL, SPECIAL, INCIDENTAL OR CONSEQUENTIAL DAMAGES. (Some states/provinces do not allow the exclusion or limitation of incidental or consequential damages, so the above limitations or exclusions may not apply to you.)

Unless modified in a later writing signed by both Wasco and Consumer, this warranty is the complete and exclusive warranty related to the Product, and it supersedes all earlier agreements and other communications relating to the Product. No employee of Wasco or any other party is authorized to make any warranty in addition to this warranty. Invalidation of any one or more of the other provisions of this warranty shall not invalidate or affect one of the other provisions. This warranty is not transferable.













This warranty gives the Consumer specific legal rights, and the Consumer may also have other legal rights which may vary from state to state, or province to province.

**Wasco Skylights • 85 Spencer Drive, Unit A • Wells, ME 04090 • [www.wascoskylights.com](http://www.wascoskylights.com)**

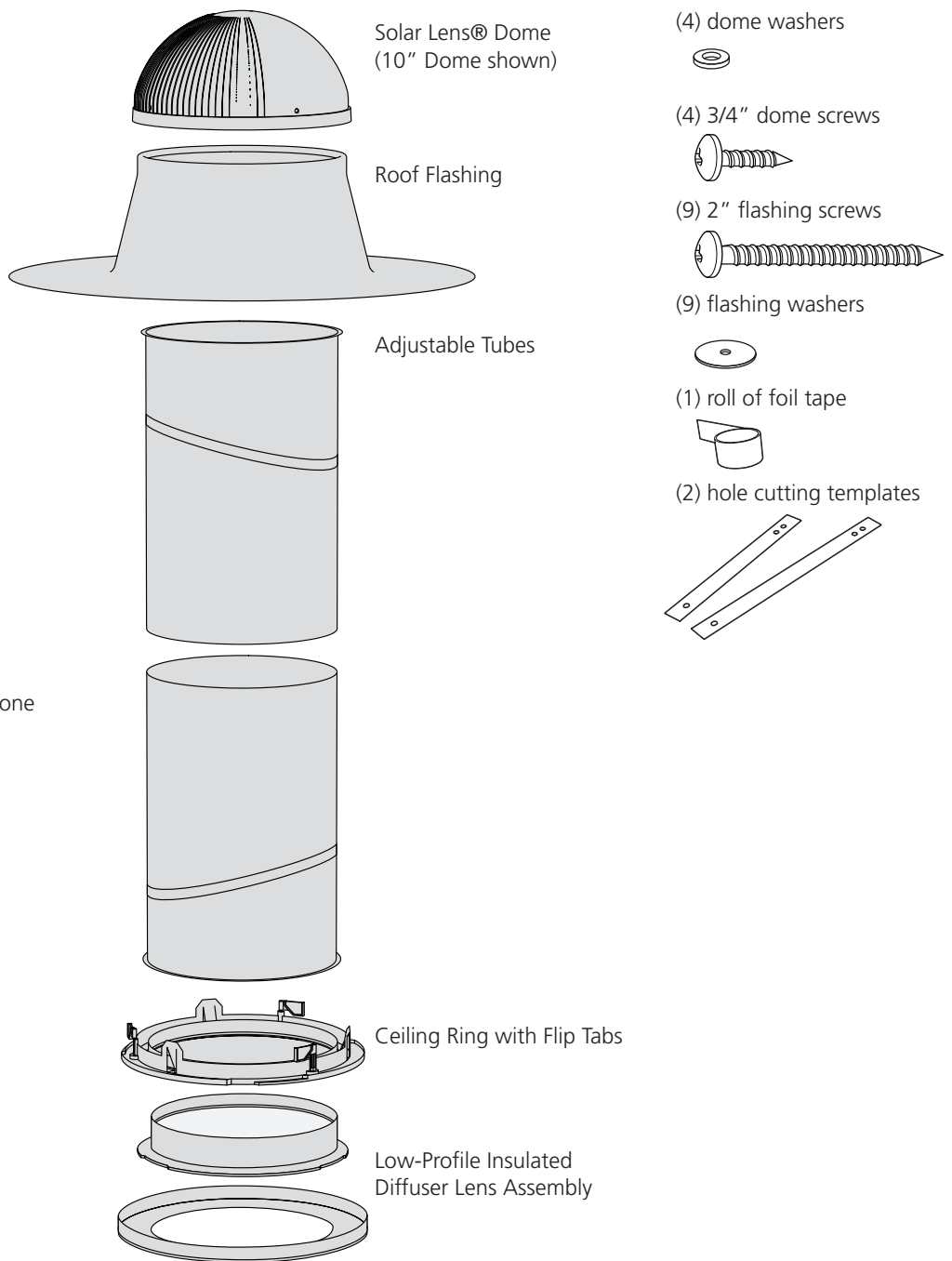
# Section iii

## Tools & Parts Identification

### TOOLS NEEDED

-  Carpenter Pencil
-  Claw Hammer
-  Coat Hanger Wire
-  Flat Pry Bar
-  Ladder
-  Metal Shears
-  Phillips Screwdriver
-  Plumb Line
-  Power Drill
-  Power Saw
-  Safety Equipment
-  Measuring Tape
-  Roof Sealant  
(Not provided in kit)
-  Exterior Clear Pure Silicone  
(Not provided in kit)
-  Shim or Ruler

### PARTS INCLUDED



**NOTE**  
Read through the section specific to your roof for additional parts and tools.

# Section 1

## Determine The Desired Position Of The Skytube In The Ceiling

### TOOLS & PARTS

-  Carpenter Pencil
-  Claw Hammer
-  Coat Hanger Wire
-  Measuring Tape
-  Phillips Screwdriver

These instructions outline the step-by-step process to install an Wasco Skytube. Before starting, review all instructions and become familiar with the parts shown on the previous page.

#### SPECIAL NOTES

- Always use safe procedures.
- Wear safety glasses when working with tools.
- Check all measurements before cutting or drilling.
- It is helpful to have a second person assist during installation.

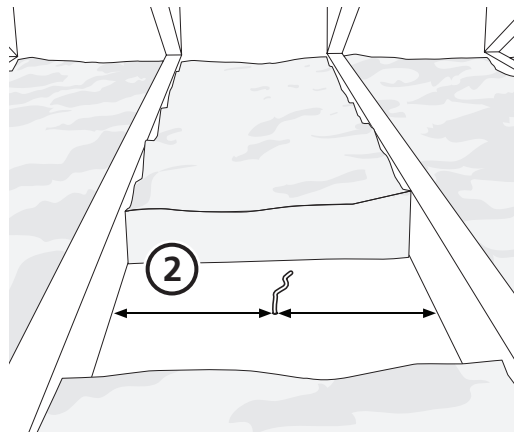
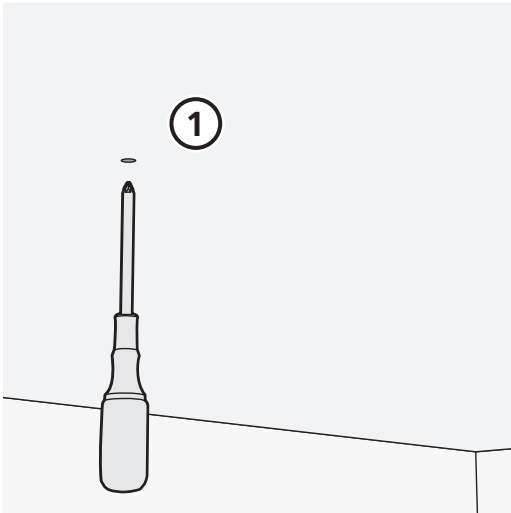
- ① Using a stud finder or hammer, find a location between the ceiling joists. Push a screwdriver or nail through the desired position.

Cut and insert a section of coat hanger wire through the hole. This will make it easier to identify the hole location in the attic.

#### NOTE

Refer to Pre-installation Checklist for tube location tips in section i.

- ② In the attic, locate the coat hanger wire. Adjust its location, centering the opening for the tube between the framing members. Check wire visibility in the ceiling below as well as from the hole that will be cut in the roof.



## Section 2

### Locating The Roof Position

#### TOOLS & PARTS

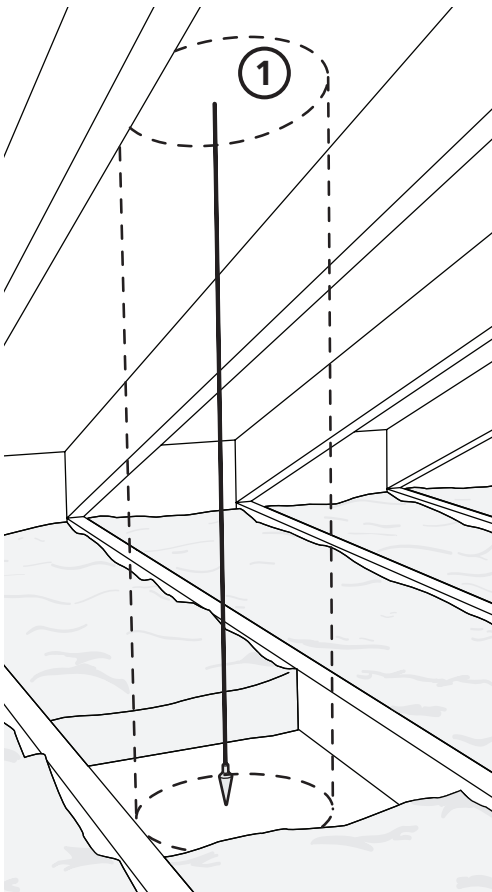
-  Carpenter Pencil
-  Claw Hammer
-  Ladder
-  Measuring Tape
-  Phillips Screwdriver
-  Plumb Line
-  Safety Equipment

- 1 Straight Tube Installation**  
In the attic, use a plumb line to find a straight location from the ceiling hole to the roof location. Center the opening for the tube between the framing members. Drive a nail up into the roof deck and through the shingles.
  
- 2 Angled Tube Installation**  
In the attic, if there are obstructions at the roof location (valleys, wires, pipes, ducts, framing, etc.), adjust tubes up to a combined 45° angle to find a path that avoids interference. Center the opening for the tube between the framing members. Drive a nail up into the roof deck and through the shingles.

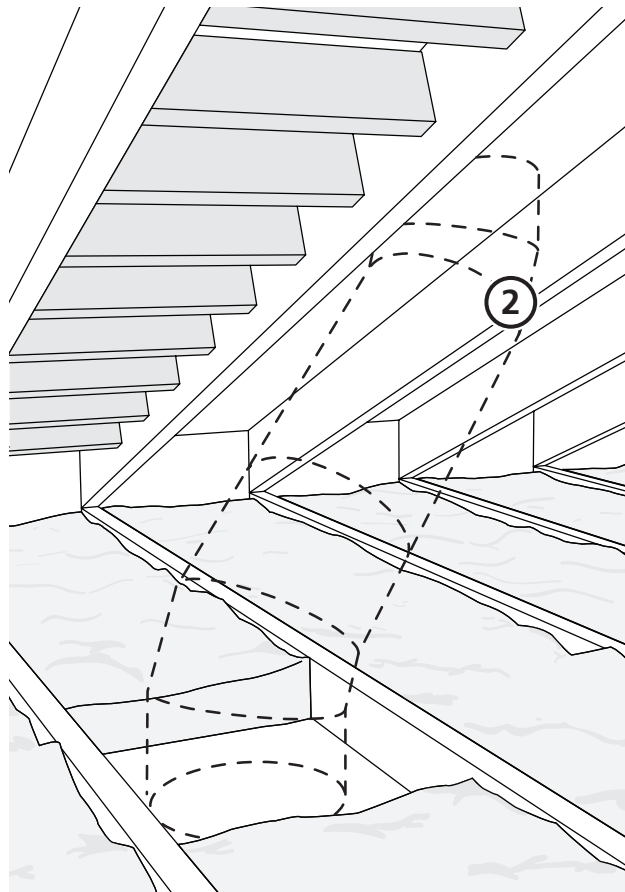
#### NOTE

Trial-fitting your tubing will help in determining adjustability and need for additional extensions.

**Straight Tube Installation**





**Angled Tube Installation**



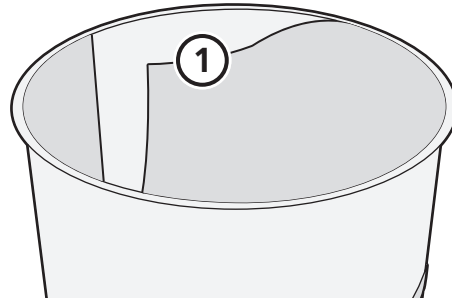
## Section 3

### Prepare The Components

#### TOOLS & PARTS

-  Adjustable Tubes
-  Hole Cutting Template

- 1 Remove protective film from inside all tubes.

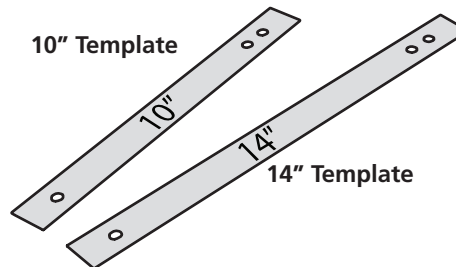


#### **WARNING**

**POTENTIAL FIRE HAZARD.** After removing the film lining from the interior of tube shaft, a reflective inner surface is created. **DO NOT** leave tube shaft components unattended or exposed to direct sunlight prior to full installation. Exposed surfaces may catch fire or incur heat damage as a result of focused sunlight until the tube shaft is fully installed with diffuser in place.

#### **CAUTION**

From the hardware pack, be sure to use the correct hole cutting template for the selected tube size.



#### **TIP**

It is recommended that you put all of your tools and rooftop components in a box or bag for easy transfer to the roof. See Section 4.

# Section 4a

## On The Roof

### TOOLS & PARTS

-  Carpenter Pencil
-  Ladder
-  Safety Equipment
-  Power Drill
-  Power Saw
-  Hole Cutting Template



### IMPORTANT

For 14" skylight with 16" on-center rafter spacing, see below.

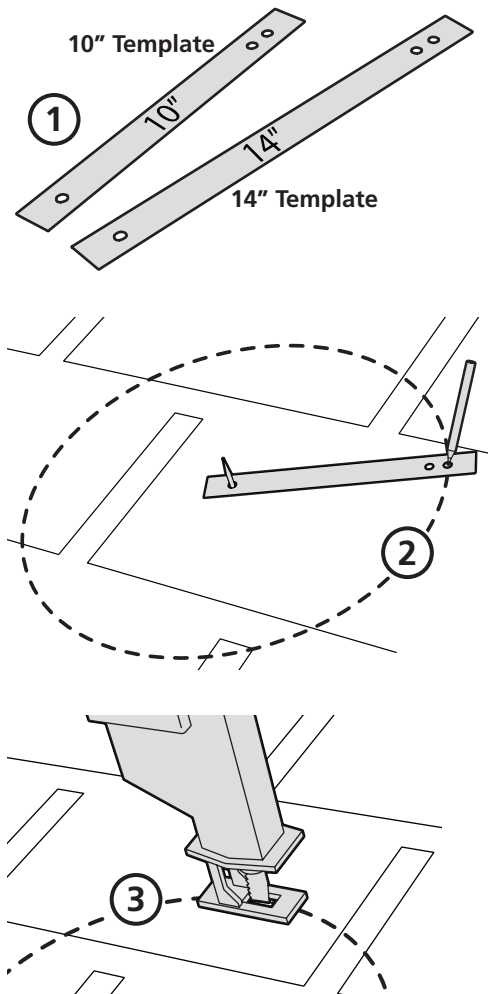
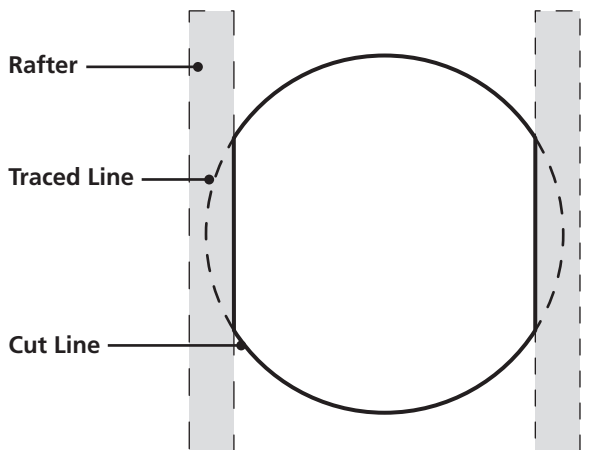
- 1 Select the correct hole cutting template for the tube (10" or 14").
- 2 Locate the protruding nail. Use the correct hole-cutting template to trace the diameter of the outer template hole.
- 3 Use a reciprocating/sabre saw to cut the roof hole.

### TIP

Drill a hole inside the traced circle to insert saw blade.

### IMPORTANT

For 14" skylight with 16" on-center rafter spacing, the 14" template will draw a line that overlaps the rafters. Be sure to adjust your cutting angle to avoid cutting into the rafters. (See illustration)
















# Section 4b

## On The Roof

### TOOLS & PARTS

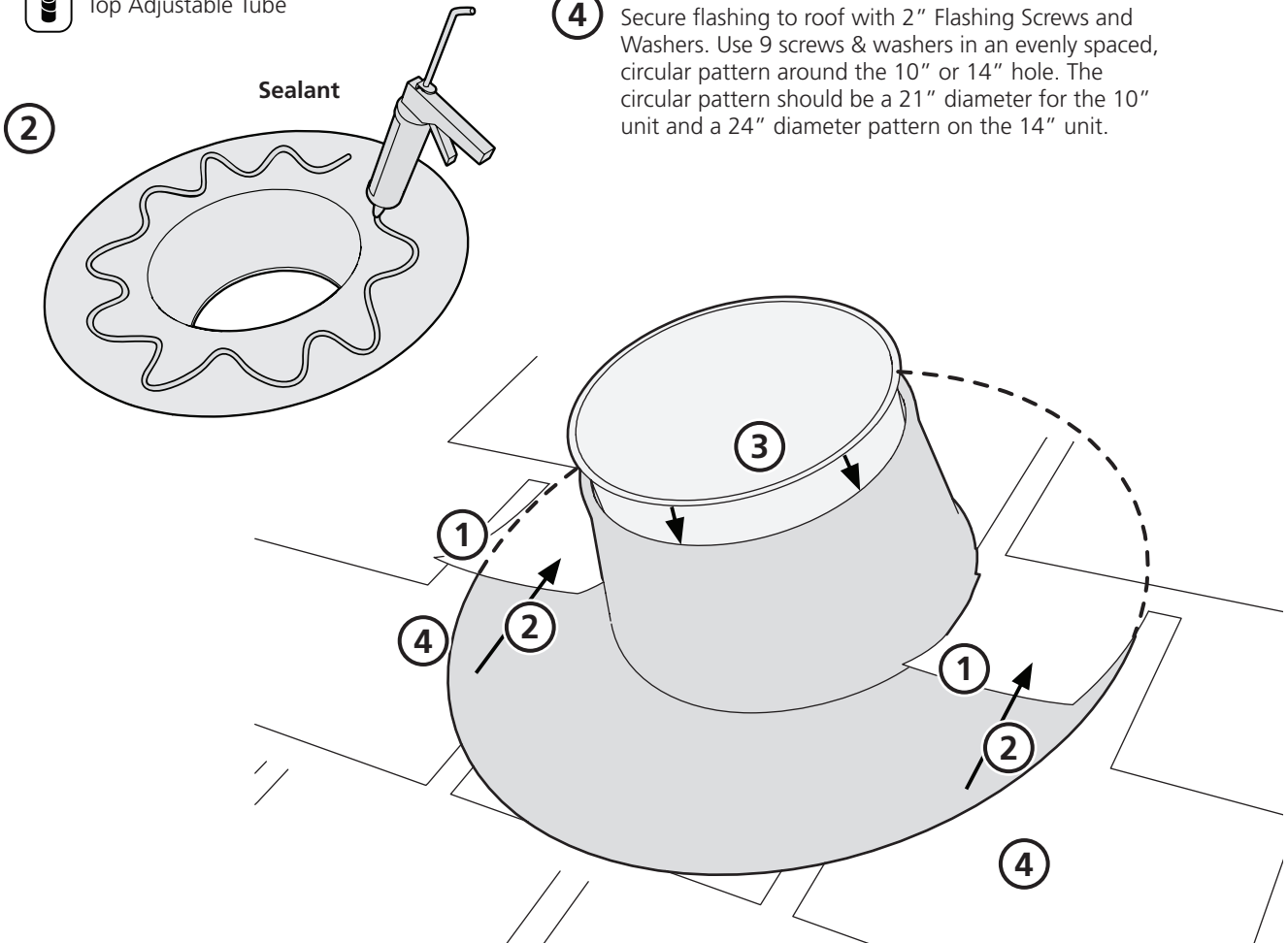
-  Caulk Gun
-  Claw Hammer
-  Flat Pry Bar
-  Ladder
-  Phillips Screwdriver
-  2" Screws
-  3/4" Washers
-  Roofing Sealant (not provided in kit)
-  Safety Equipment
-  Roof Flashing
-  Top Adjustable Tube

**TIP**  
The vertical seam of the reflective tube should point to the East or West to avoid irregular light patterns in your room.

- 1 Use a flat pry bar to carefully break the seals on the shingles' upslope above the cuthole. Use a claw hammer to remove nails on the shingles above the cut hole.
- 2 Generously apply roof sealant around bottom of flashing. Slide top and sides of roof flashing under top shingles.

**STOP**  
**IMPORTANT**  
For short shaft cathedral style installation see Section 10. Do not install dome yet.









- 3 Slide Top Adjustable Tube into the flashing to check for proper alignment.
- 4 Secure flashing to roof with 2" Flashing Screws and Washers. Use 9 screws & washers in an evenly spaced, circular pattern around the 10" or 14" hole. The circular pattern should be a 21" diameter for the 10" unit and a 24" diameter pattern on the 14" unit.



# Section 4c

## On The Roof

### TOOLS & PARTS

-  Ladder
-  Phillips Screwdriver
-  Safety Equipment
-  3/4" Dome Screws
-  Dome Washers
-  Top Adjustable Tube
-  Solar Dome
-  Exterior Clear Pure Silicone (not provided in kit)

- 1 For angled tube installation, reach and adjust the Adjustable Tube so it points to the wire in the ceiling, or adjust the angle of the tube and then insert tube into flashing.

#### NOTE

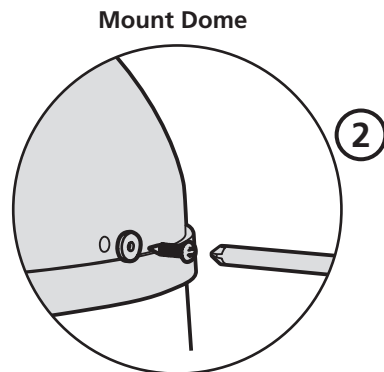
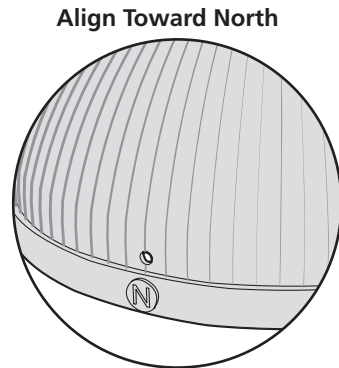
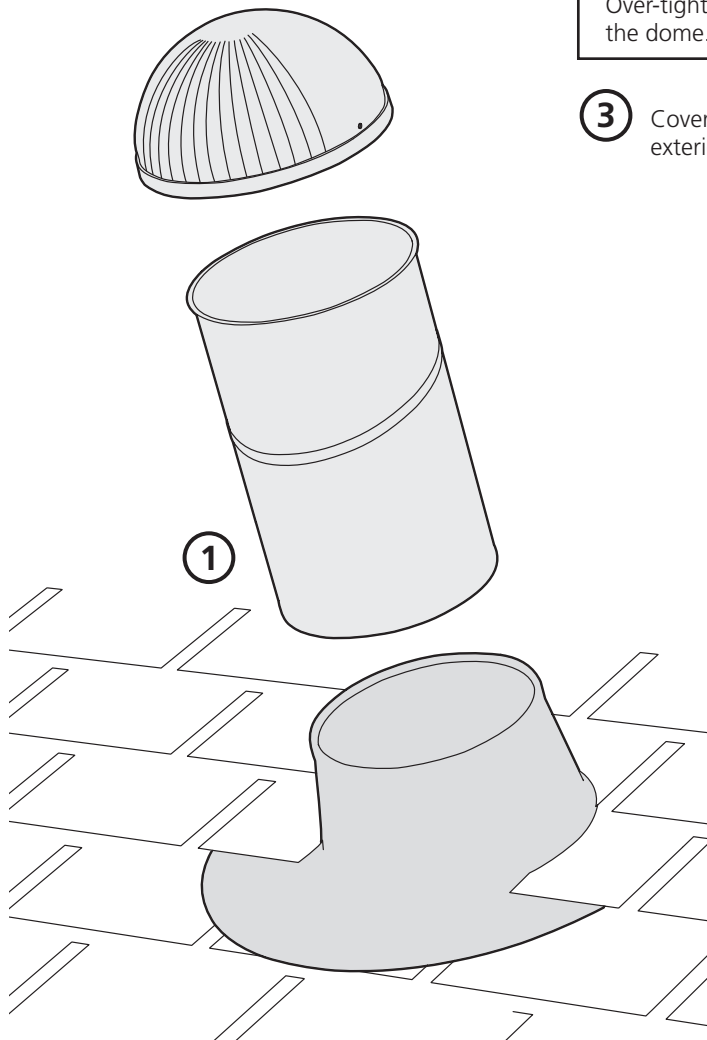
It is easier if 2 people work/turn the tube in opposite directions to angle the tube as needed.

- 2 Using the 3/4" dome screws and dome washers (dome washers have the rubber backing – rubber backing should face the dome), mount the dome on the flashing aligning the "N" (molded into outer edge of the dome) towards the North.

#### TIP

Dome screws should be snug but do not over-tighten. Over-tightening can create too much pressure against the dome.






- 3 Cover dome screw heads and washers with an exterior clear pure silicone .

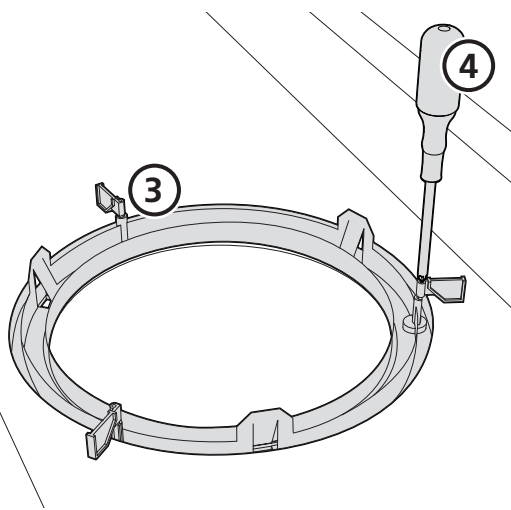
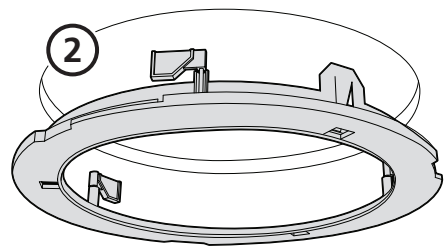
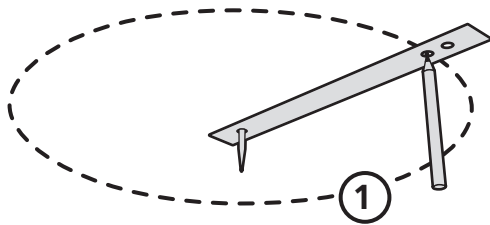


# Section 5

## Inside The Room

### TOOLS & PARTS

-  Pencil
-  Phillips Screwdriver
-  Power Saw
-  Hole Cutting Template
-  Ceiling Trim Ring



### IMPORTANT

For 14" skylight with 16" on-center rafter spacing, see box below.

- 1 Using the correct **Hole Cutting Guide** for your size tube and a pencil, locate protruding wire in the ceiling and trace the diameter of the ceiling inner hole using the template marked "A".

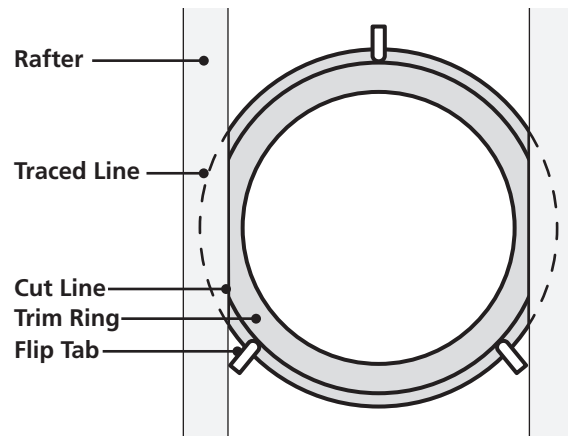
### TIP

You may have to drill a hole inside the traced diameter circle to insert saw blade.

- 2 Use a keyhole/drywall saw to cut the hole.
- 3 Slide the Trim Ring up into your ceiling hole. Make sure the flip tabs are turned in. Reach through hole and turn flip tabs out to hold ring in place.
- 4 Secure the ceiling trim ring by tightening the screws.

### IMPORTANT

For 14" skylight with 16" on-center rafter spacing, the 14" template will draw a line that overlaps the rafters. Be sure to adjust your cutting angle to avoid cutting into the rafters. (See illustration)



## Section 6 In The Attic

### TOOLS & PARTS



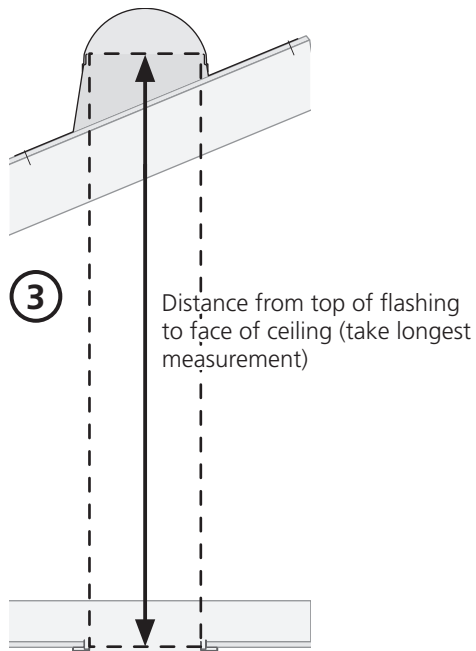
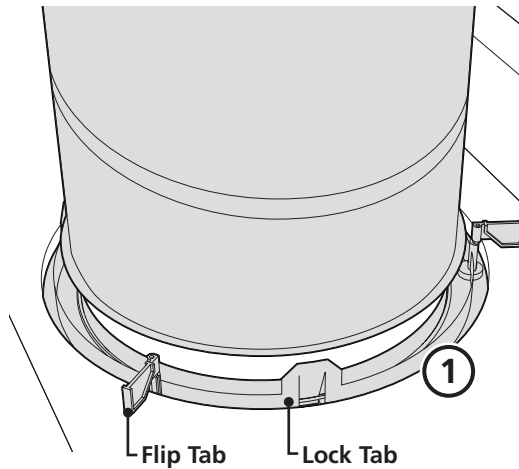
Measuring Tape



Bottom Adjustable Tube



Foil Tape



### TIP

The vertical seam of the reflective tube should point to the East or West to avoid irregular light patterns in your room.



### IMPORTANT

At this point, if you purchased a dimmer or combo kit, this is where you reference the dimmer instructions packaged with the dimmer unit.

1

Gently set the Bottom Adjustable Tube flange down on the trim ring. Do not snap in place at this time.

2

If you have an angled installation you will need to twist your Bottom Adjustable Tube so it lines up with the Top Adjustable Tube above. (Be sure you have removed the protective film.)

### NOTE

It is easier if 2 people work/turn the tube in opposite directions to angle the tube as needed.

3

Measure distance from the top of Roof Flashing to ceiling (See illustration) to determine proper trimming of length of tubes. Refer to "**Tube Length Chart**" in Section 8 for cutting recommendations if you need to shorten the tubes.

4

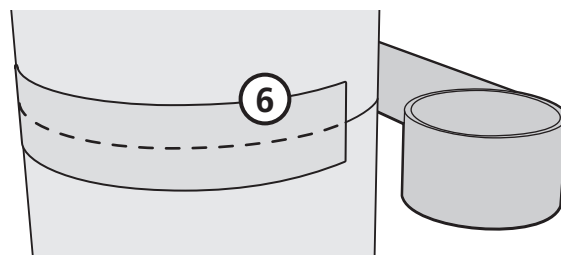
Slide Bottom Adjustable Tube over the outside of Top Adjustable Tube.

5

Now you can push down to lock the Bottom Adjustable Tube securely into the lock tabs of the ceiling trim ring.

6







Tape ALL seams securely with Foil Tape to keep dust, moisture, and insects out of the tube.



## Section 7

### When Cutting Your Tube...

#### TOOLS & PARTS

-  Carpenter Pencil
-  Metal Shears
-  Safety Equipment
-  Safety Glasses
-  Extension Tubes
-  Gloves

#### IMPORTANT

Once contact is made with adhesive strip on an Extension Tube, parts cannot be repositioned.

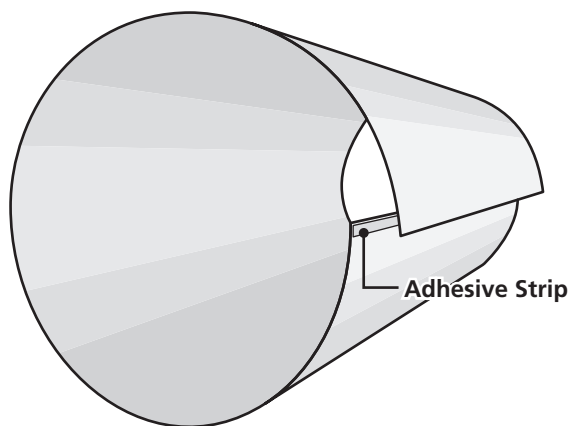
- ① Be sure to measure and cut if necessary, before removing adhesive strip and assembling the Extension Tube. Wear gloves when working with sharp edges.

#### TIP

When trimming Extension Tubes, always measure and start from the wide end where tube end diameter = 10" or 14".

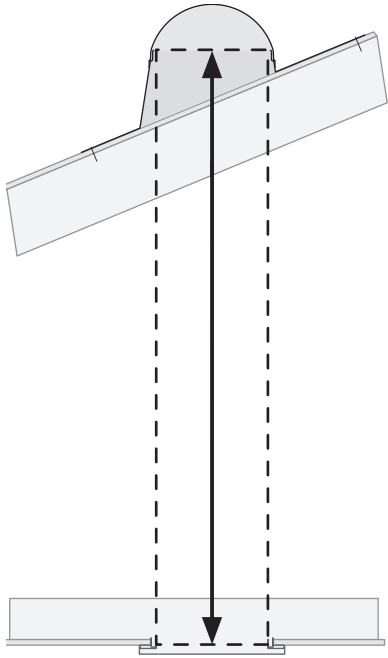
- ② After referring to "**Tube Length Chart**" in Section 8, use metal shears to shorten the Extension Tube. Allow for a 1" overlap at each end where you will connect each tube to another.
- ③ Once Extension Tubes are sized to the proper length, remove tan backing paper from adhesive strip on edge of Extension Tube. Beginning at one end of the Extension Tube, over-lap the edges of the tube/s, aligning the edge of the tube along the crimp on the other side.

Trimmed Extension Tube

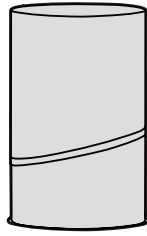


# Section 8

## Tube Length Chart

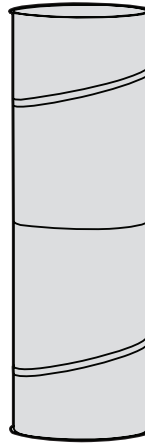


**Less Than 15"**



(Must use bottom adjustable tube only)

**16" Through 29"**



**More Than 29"**



Tube Extension  
(Sold separately)

## Section 9 Inside The Room

### TOOLS & PARTS



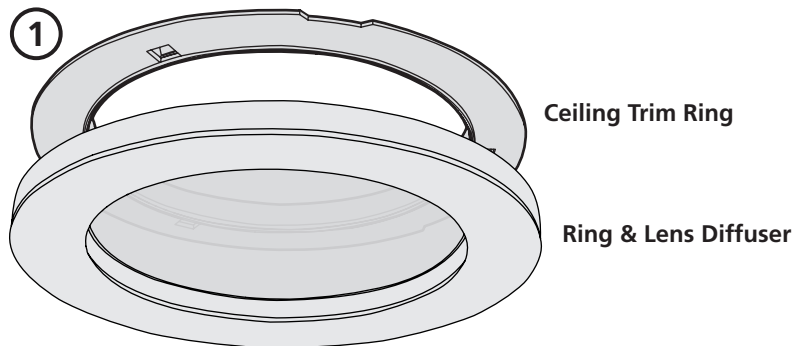
Diffuser Lens Assembly

- 1 Install the Diffuser Assembly by aligning the Diffuser with the three tabs on the Trim Ring. Turn clockwise until snug in place on the ceiling.

#### TIP

Diffuser should be rotated at least through two "clicks". (Full rotation is four "clicks") to attach to Trim Ring.






**Installation Complete!**



# Section 10a

## Cathedral Ceiling/Short Shaft Installation

### TOOLS & PARTS

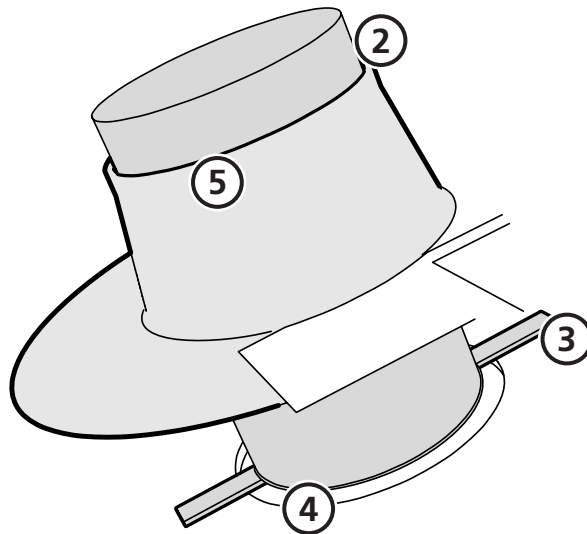
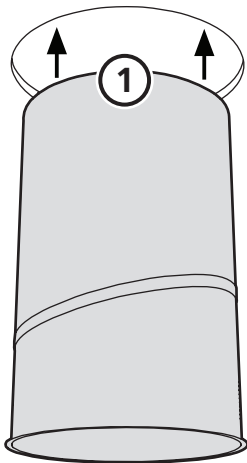
-  Ladder
-  Pencil/Marker
-  Safety Equipment
-  Shim or Ruler
-  Bottom Adjustable Tube

Start with regular installation instructions beginning in Section 1.

#### NOTE

The solar powered dimmer will not work with a cathedral ceiling or some short installations due to space restrictions.

- ① Place bottom adjustable tube (with the flanged end down) through the rough-cut hole in the ceiling.
- ② Guide the top portion of the tube up through the roof flashing so it protrudes upward through the flashing collar on the roof.
- ③ Place a temporary shim or ruler across the ceiling opening. (Approx 1/8" thick)
- ④ Center the tube over the ceiling cut-out, resting the tube down onto the shim. (The shim will keep the tube from falling through the ceiling.)
- ⑤ On the roof, mark the protruding tube at the top of the flashing collar with a felt pen. This will indicate where the extra length of tubing must be trimmed off for a short shaft install.











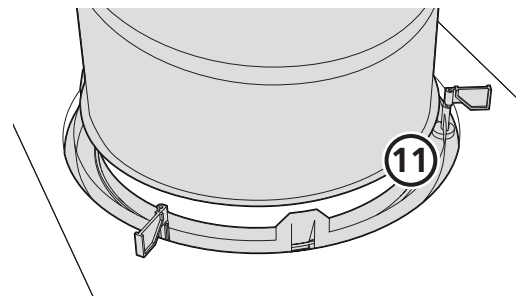
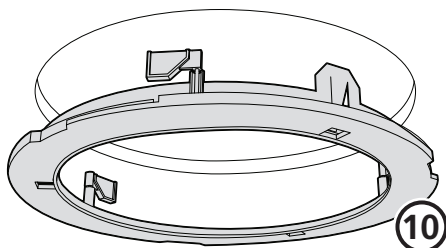
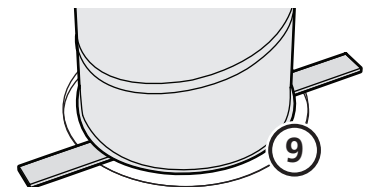
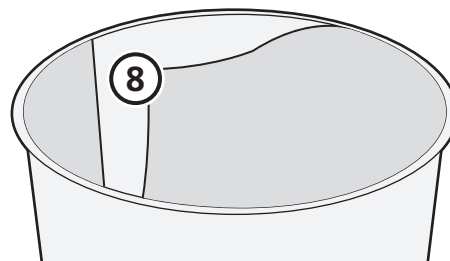
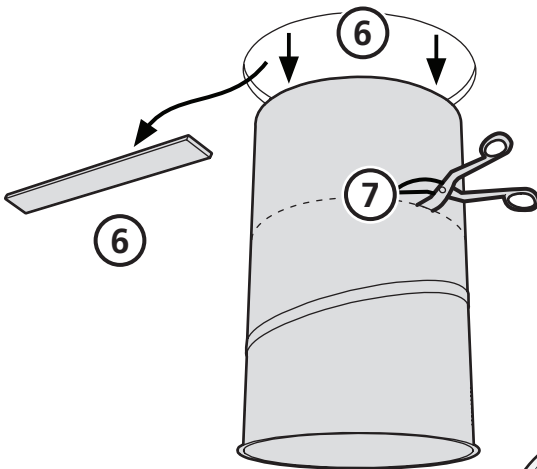
## Section 10b

### Cathedral Ceiling/Short Shaft Installation

#### TOOLS & PARTS

-  Gloves
-  Ladder
-  Metal Shears
-  Safety Equipment
-  Bottom Adjustable Tube
-  Ceiling Ring









- 6** At the ceiling, slide the temporary shim out of your way and pull tube section back out of the ceiling
- 7** Wearing protective gloves, carefully trim away the excess aluminum tubing, using your felt pen marks as a guide.
- 8** Remove the protective film from the inside of the tubing.
- 9** Place the tube section back into the ceiling making sure to align and center it inside the roof flashing collar. Place shim back across the cut-out.
- 10** Open the diffuser assembly box and separate the ceiling ring from the diffuser. Install only the Ceiling Ring into the cut-out.
- 11** You can now remove the shim from the ceiling and allow the tube to rest centered over the ceiling ring.



# Section 10c

## Cathedral Ceiling/Short Shaft Installation – On The Roof

### TOOLS & PARTS

-  Ladder
-  Phillips Screwdriver
-  Safety Equipment
-  3/4 Dome Screws
-  Dome Washers
-  Bottom Adjustable Tube
-  Diffuser
-  Solar Lens Dome

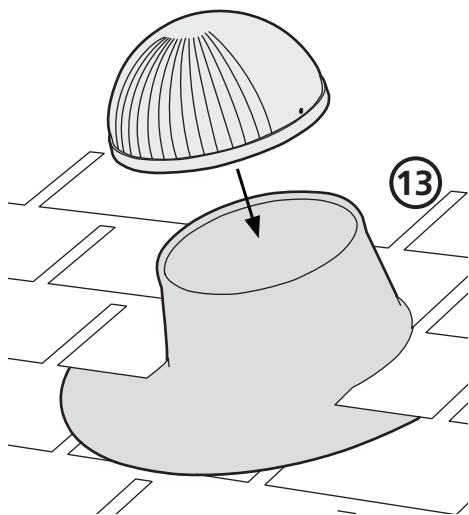
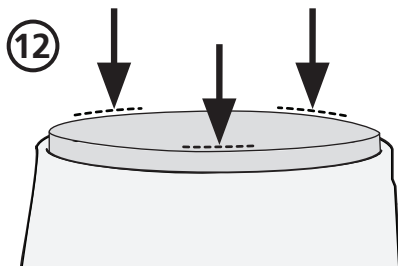
### IMPORTANT

Use protective work gloves — The trimmed edge of the tube will be sharp!

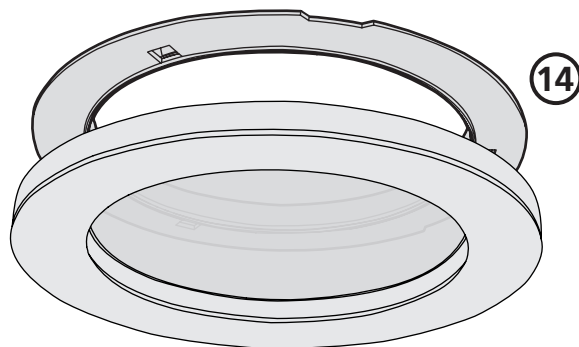
**12** While wearing gloves, carefully press downward on the trimmed end of the tube. It will lock down into the 3 plastic locking tabs located in the Ceiling Trim Ring, securing the tube into the rubber gasket in the ceiling trim ring.

**13** Install the Solar Lens Dome onto the flashing collar. See dome install instructions Section 4c, then return to this page for further instructions.

**14** Rotate the Insulated Ceiling Diffuser onto the Ceiling Trim Ring. See Section 9.








**Installation Complete!**



# Section 11

## Long Shaft Installation

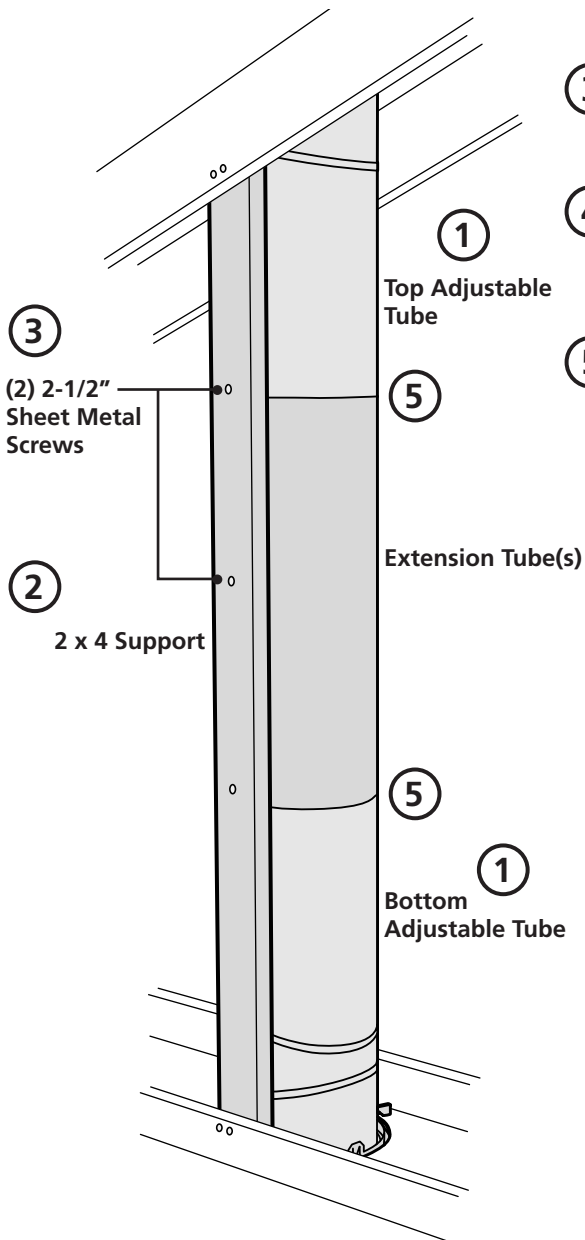
### TOOLS & PARTS

-  (2) 2-1/2" Pan Head Sheet Metal Screws (Not Included)
-  3/32" Bit
-  Drill
-  Phillips Drill Bit
-  Measuring Tape

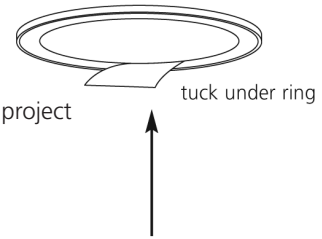
### Long Shaft Installation

For long shaft installation, use steps listed below, referring to those listed on previous pages for more specific install details.



- 1 On roof, locate and install Top Adjustable Tube into roof flashing. Install Ceiling Ring at ceiling. Install Bottom Adjustable Tube in attic as seen in diagram.
- 2 Frame 2 x 4 support between joists. Span from roof to ceiling with a length of 2 x 4 flat to outside of each Adjustable Tube, creating a "spine".
- 3 Put a (2) 2-1/2" pan-head, sheet metal screw (not included) in each connecting extension.
- 4 Slide next tube section in and attach with screw/s. Continue until all but one extension is connected. Cut and install last section of extension tube.
- 5 Tape ALL joints. Go to Section 9 to continue standard install.




- ① For new homes and projects requiring building permits, cut out this NFRC label once product installation is complete.
- ② Affix to diffuser ring as shown and secure with tape.
- ③ Label to remain in place until final inspection to qualify project for Energy Star.



**Qualified for area indicated.**  
**Admissible pour les régions indiquées.**

<p><b>Canada</b> energystar.nrcan-rncan.gc.ca</p>  <p><b>ENERGY STAR</b></p> <p><b>U.S. / É.U.</b> energystar.gov</p>	 <p style="text-align: center;">■ = Qualified/Admissible</p>
--	--

cut out along dotted line, and place under diffuser ring after installation.

 National Fenestration Rating Council® <b>CERTIFIED</b>	<p><b>WASCO PRODUCTS, INC.</b></p> <p>Wasco <b>SkyTube</b> TUBULAR SKYLIGHT</p> <p>ODL-K-8-00001-00001</p>
<b>ENERGY PERFORMANCE RATINGS</b>	
U-Factor <b>0.46</b> <small>(U.S./I-P)</small>	Solar Heat Gain Coefficient <b>0.20</b>
<b>2.61</b> <small>(Metric/SI)</small>	
<b>ADDITIONAL PERFORMANCE RATINGS</b>	
Visible Transmittance —	Condensation Resistance —
Manufacturer stipulates that these ratings conform to applicable NFRC procedures for determining whole product performance. NFRC ratings are determined for a fixed set of environmental conditions and a specific product size. NFRC does not recommend any product and does not warrant the suitability of any product for any specific use. Consult manufacturer's literature for other product performance information. <a href="http://www.nfrc.org">www.nfrc.org</a>	

**U-Factor:** The lower the value the lower the rate of heat flow. Less heat flows so heating and cooling bills are reduced.

**Solar Heat Gain Coefficient (SHGC):** Measures ability to block heat caused by sunlight. The lower the SHGC the more it reduces air conditioning costs.



FIRST-CLASS  
POSTAGE  
REQUIRED

Attn: Customer Service

**WASCO PRODUCTS, INC.**  
**85 SPENCER DRIVE, UNIT A**  
**WELLS, ME 04090**



FOLD HERE

Thank you for your purchase of this Wasco product.

**Wasco SkyTube**  
TUBULAR SKYLIGHT

Wasco Products, Inc.  
85 Spencer Drive, Unit A  
Wells, ME 04090  
[www.wascoskylights.com](http://www.wascoskylights.com)

If you would like additional  
information on Wasco products, visit  
our website at [www.wascoskylights.com](http://www.wascoskylights.com) or  
call our toll free number: 1-800-388-0293.

TAPE HERE • DO NOT STAPLE





Wasco SkyTube  
TUBULAR SKYLIGHT



85 Spencer Drive, Unit A  
Wells, ME 04090  
[www.wascoskylights.com](http://www.wascoskylights.com)