

# EcoSky3 Technical Information

## Energy Efficient Unit Skylights

### Performance

**IBC Section 2405.5 Unit Skylight Compliance:**

**North American Fenestration Standard:**

**AAMA/WDMA/CSA 101/I.S.2/A440**

**Air infiltration:** 0.03 cfm/ft<sup>2</sup> @ 1.57psf per ASTM E283

**Water Penetration:** 15 psf per ASTM E547 and ASTM E331

**Design Pressure:** Varies with size

### IBC Section 2606.4 Light Transmitting Plastics:

Dome Acrylic Glazings:		
Self-Ignition Temperature	ASTM D1929	850 deg. F
Smoke Density	ASTM D2843	6.4
Combustibility Classification	ASTM D635	CC2
Polycarbonate Laylite:		
Self-Ignition Temperature	ASTM D1929	>1110 deg. F
Smoke Density	ASTM E84	35
Combustibility Classification	ASTM D635	CC1

### Standard Info

#### Finishing:

Frame: White PVC

Retainer: Mill. Other finishes also available, contact factory for information.

#### Glazing:

Satin Sky 2 Infrared Blocking Outer Dome / Optional Clear Inner Dome / 10mm Lumira Aerogel Filled Multiwall Polycarbonate Inner Laylite.

### NFRC Certified Performance:

Product	Glazing	U-Factor	SHGC	NFRC CPD#
CLC2 - Curb Mount	Satin Sky 2 / 10mm Lumira Panel	0.35	0.33	WPC-A-9-00011-00001
CLC3 - Curb Mount	Satin Sky 2 / Clear / 10mm Lumira Panel	0.33	0.31	WPC-A-9-00006-00001
CLD2 - Deck Mount	Satin Sky 2 / 10mm Lumira Panel	0.40	0.33	WPC-A-8-00009-00001
CLD3 - Deck Mount	Satin Sky 2 / Clear / 10mm Lumira Panel	0.36	0.31	WPC-A-8-00006-00001

VT is not part of the NFRC certification protocol.

### Standard Sizes (Custom Sizes Available)

#### Curb-Mount

- CLC2 - Single Dome with Aerogel Filled Laylite
- CMC2 - Single Pyramid Dome with Aerogel Filled Laylite
- CLC3 - Double Dome with Aerogel Filled Laylite
- CMC3 - Double Dome with Aerogel Filled Laylite, Pyramid Outer

#### Deck-Mount

- CLD2 - Single Dome with Aerogel Filled Laylite
- CMD2 - Single Pyramid Dome with Aerogel Filled Laylite
- CLD3 - Double Dome with Aerogel Filled Laylite
- CMD3 - Double Dome with Aerogel Filled Laylite, Pyramid Outer

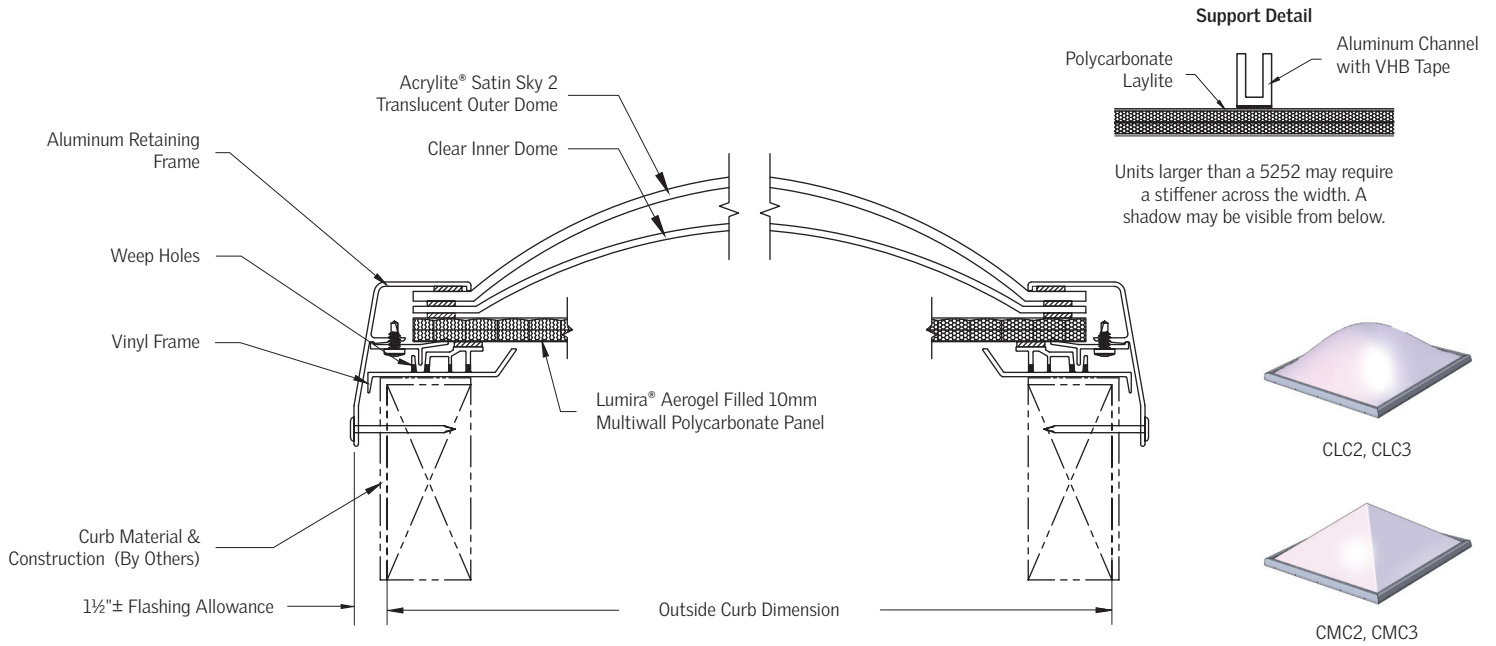
Size	Curb-Mount Outside Dimension of Curb	Deck-Mount Rough Opening
2828	25 ¼" x 25 ¼"	22 ¼" x 22 ¼"
2852	25 ¼" x 49 ¼"	22 ¼" x 46 ¼"
3636	33 ¼" x 33 ¼"	30 ¼" x 30 ¼"
3652	33 ¼" x 49 ¼"	30 ¼" x 46 ¼"
4242	40" x 40"	37" x 37"
4280	40" x 78"	37" x 75"
5252	49 ¼" x 49 ¼"	46 ¼" x 46 ¼"
5276	49 ¼" x 72 ½"	46 ¼" x 69 ½"
5296	49 ¼" x 92 ½"	46 ¼" x 89 ½"
5555	51" x 51"	48" x 48"
55102	51" x 99"	48" x 96"
6060	58" x 58"	55" x 55"
6476	60 ½" x 72 ½"	57 ½" x 69 ½"
6496	60 ½" x 92 ½"	57 ½" x 89 ½"



Skylights pose an inherent risk of injury or death from fall throughs, and the safety of others is of the utmost importance to VELUX. VELUX recommends that the customer, building owner or manager use additional protection with the skylight such as an exterior or interior safety cage, to enhance long-term safety. The building owner or manager is responsible for providing fall protection around the skylight in accordance with OSHA regulations. VELUX also recommends that the building owner or manager restrict roof access only to personnel who have been cautioned as to the location of the skylights, and warned not to sit, step or walk on the skylights.

# EcoSky3 Technical Information

## EcoSky3 Curb Mount



## EcoSky3 Deck Mount

