

Traditional Dome Product Data

Curb-Mount (SS2)

Wasco curb-mount Thermalized® Solar-Energy Skydomes® offer outstanding lighting and thermal performance in a versatile range of dome or pyramid styles.

- Curb mount for use on 1½" thick site-built or prefabricated curbs
- Available in standard and custom sizes, domed or pyramid shapes
- Safety screens recommended

Performance

IBC Section 2405.5 Unit Skylight Compliance:

North American Fenestration Standard: (NAFS)

AAMA/WDMA/CSA 101/I.S.2/A440

Air infiltration: Air infiltration: <0.01 cfm/ft² @ 6.27 psf per ASTM E283

Water Penetration: 15 psf per ASTM E547

Design Pressure: Varies with size, minimum DP30

IBC Section 2606.4 Light Transmitting Plastics:

Dome Acrylic Glazings:

Self-Ignition Temperature	ASTM D-1929	750 deg. F
Smoke Density	ASTM D 2843	3.8
Combustibility Classification	ASTM D-635	CC2

Performance:

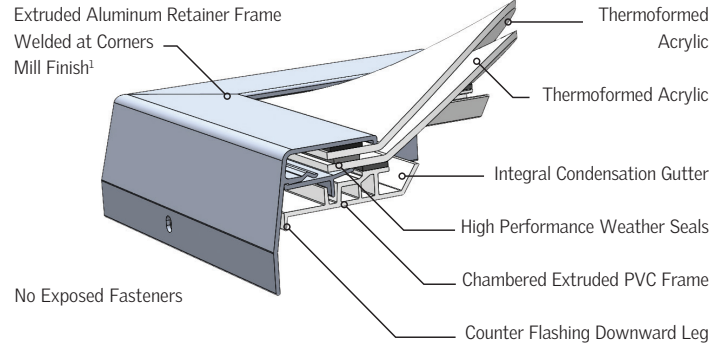
Acrylic	LT	SHGC	U-Value	R-Value	Haze
Clear	92%	0.84	1.20	0.83	0%
White 2447	54%	0.64	1.20	0.83	100%
Bronze 2412	27%	0.50	1.20	0.83	0%
Clear/Clear	85%	0.77	0.61	1.64	0%
Clear/2447 White	50%	0.52	0.61	1.64	100%
2447 White/2447 White	29%	0.41	0.61	1.64	100%
2412 Bronze/Clear	25%	0.37	0.61	1.64	0%
2412 Bronze/2447 White	14%	0.32	0.61	1.64	100%
SatinSky2/Clear/Clear*	49%	0.37	0.46	2.17	97%

*NFRC Certified

SAFETY CONSIDERATIONS



Skylights pose an inherent risk of injury or death from fall throughs, and the safety of others is of the utmost importance to VELUX. VELUX recommends that the customer, building owner or manager use additional protection with the skylight such as an exterior or interior safety cage, to enhance long-term safety. The building owner or manager is responsible for providing fall protection around the skylight in accordance with OSHA regulations. VELUX also recommends that the building owner or manager restrict roof access only to personnel who have been cautioned as to the location of the skylights, and warned not to sit, step or walk on the skylights.



No Exposed Fasteners

Standard Info

Finishing:

Frame: White PVC

Retainer: Mill. *Other finishes available, contact factory for information.

Glazing:

Double: Acrylic outer dome over acrylic inner dome.

Triple: Acrylic outer dome over two acrylic inner domes.

Standard Sizes (Custom Sizes Available)

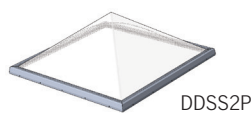
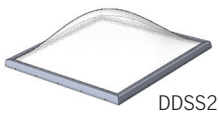
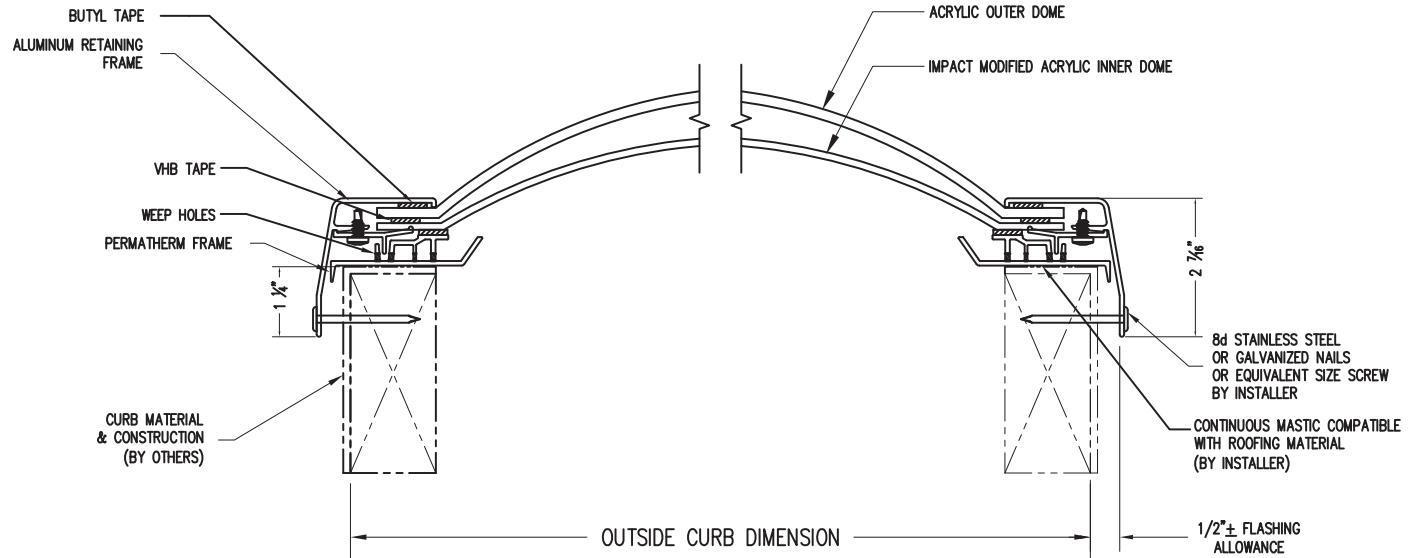
CURB MOUNT (SS2) DOUBLE OR TRIPLE DOME

Available Options: P = Pyramid Outer Dome

Double Dome Model	Triple Dome Model	O.D. Curb
DDSS[P]2-2828	DDDSS2-2828	25 ¼" x 25 ¼"
DDSS[P]2-2852	DDDSS2-2852	25 ¼" x 49 ¼"
DDSS[P]2-3636	DDDSS2-3636	33 ¾" x 33 ¾"
DDSS[P]2-3652	DDDSS2-3652	33 ¾" x 49 ¼"
DDSS[P]2-4242	DDDSS2-4242	40" x 40"
DDSS[P]2-5252	DDDSS2-5252	49 ¼" x 49 ¼"
DDSS[P]2-5276	DDDSS2-5276	49 ¼" x 72 ½"
DDSS[P]2-5296	DDDSS2-5296	49 ¼" x 92 ½"
DDSS[P]2-5555	DDDSS2-5555	51" x 51"
DDSS[P]2-55102	DDDSS2-55102	51" x 99"
DDSS[P]2-6060	DDDSS2-6060	58" x 58"
DDSS[P]2-6476	DDDSS2-6476	60 ½" x 72 ½"
DDSS[P]2-6496	DDDSS2-6496	60 ½" x 92 ½"
DDSS[P]2-6666	DDDSS2-6666	63" x 63"
DDSS[P]2-66102	DDDSS2-66102	63" x 99"
DDSS[P]2-7272	DDDSS2-7272	71" x 71"
DDSS[P]2-8080	DDDSS2-8080	78" x 78"
DDSS[P]2-9898	DDDSS2-9898	95 ½" x 95 ½"

Traditional Dome Product Data

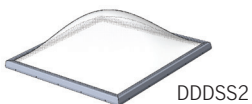
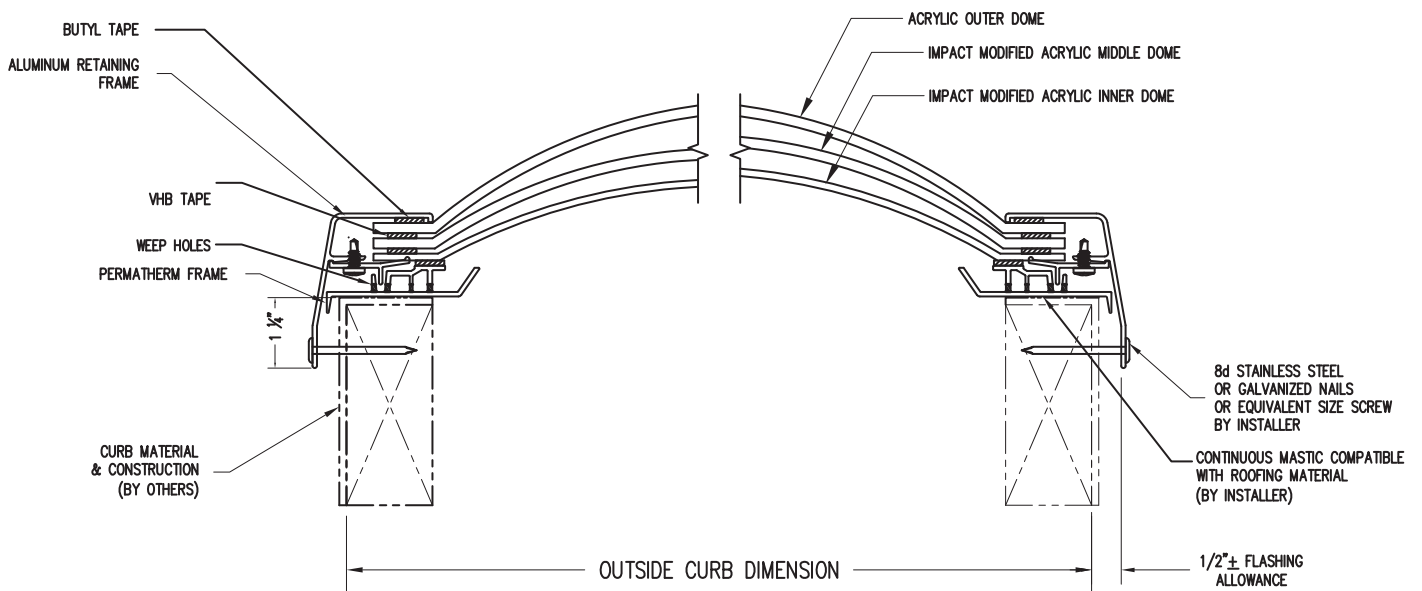
DDSS2 – Double Dome Curb Mount



Glazing Options

Outer: Clear, White or Bronze (Optional Pyramid Dome): Inner: Clear or White

DDSS2 – Triple Dome Curb Mount



Glazing Options

Outer: Clear, White or Bronze: Middle: Clear or White: Inner: Clear or White