

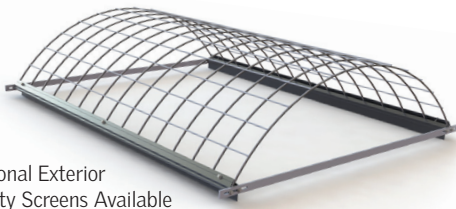
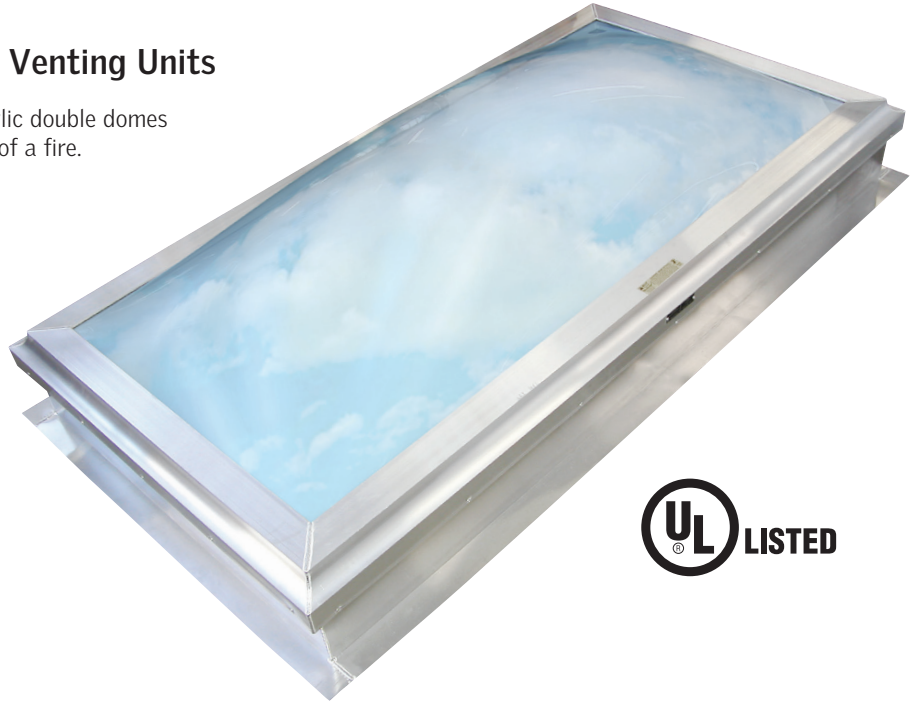
Shrink-Out Smoke Vents

Fusible Link for Controlled Venting

Economical Alternative to Mechanical Venting Units

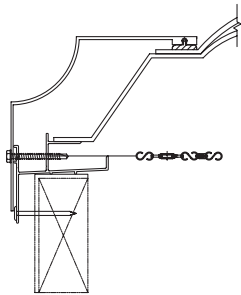
Wasco's shrink-out smoke vents are gravity operated acrylic double domes designed to automatically shrink and fall out in the event of a fire.

- Modification to our existing PSO unit
- Incorporates a fusible link for specific control of venting
- Allows unit to be used with ESFR (early suppression fast response) sprinkler systems
- Available with 360° or 500° UL listed fusible links
- Less expensive alternative to mechanical venting



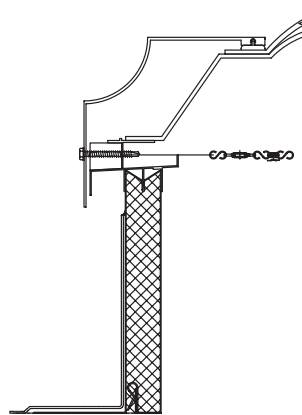
Optional Exterior Safety Screens Available

Standard Sizes:



Curb Mount

MODEL	O.D. OF CURB
PSOS-FR-5555	51" x 51"
PSOS-FR-5566	51" x 63"
PSOS-FR-5578	51" x 75"
PSOS-FR-5596	51" x 93"
PSOS-FR-55102	51" x 99"
PSOS-FR-6678	63" x 75"
PSOS-FR-6696	63" x 93"
PSOS-FR-66102	63" x 99"



Deck Mount

MODEL	ROUGH OPENING
PSO-FR-5555	48" x 48"
PSO-FR-5566	48" x 60"
PSO-FR-5578	48" x 72"
PSO-FR-5596	48" x 90"
PSO-FR-55102	48" x 96"
PSO-FR-6678	60" x 72"
PSO-FR-6696	60" x 90"
PSO-FR-66102	60" x 96"



Safety Considerations

Skylights pose an inherent risk of injury or death from fall throughs, and the safety of others is of the utmost importance to VELUX. VELUX recommends that the customer, building owner or manager use additional protection with the skylight such as an exterior or interior safety cage, to enhance long-term safety. The building owner or manager is responsible for providing fall protection around the skylight in accordance with OSHA regulations. VELUX also recommends that the building owner or manager restrict roof access only to personnel who have been cautioned as to the location of the skylights, and warned not to sit, step or walk on the skylights.