

EcoSky Deck-Mount Technical Information

Performance

IBC Section 2405.5 Unit Skylight Compliance:

North American Fenestration Standard:

AAMA/WDMA/CSA 101/I.S.2/A440

Air infiltration: <0.01 @ 6.27 psf per ASTM E283

Water Penetration: 15 psf per ASTM E547 and ASTM E331

Design Pressure: Varies with size

IBC Section 2606.4 Light Transmitting Plastics:

Dome Acrylic Glazings:		
Self-Ignition Temperature	ASTM D-1929	750 deg. F
Smoke Density	ASTM D 2843	3.8
Combustibility Classification	ASTM D-635	CC2

NFRC Certified Performance:

CPD # WPC-A-9-00007	CPD # WPC-A-9-00008
ESS2 – Curb-Mount	DDDSS2 – Curb-Mount
U-factor = 0.61	U-factor = 0.46
SHGC = 0.45	SHGC = 0.37
VT = 60%*	VT = 49%*

*VT is not part of the NFRC testing protocol.

SAFETY CONSIDERATIONS



Skylights pose an inherent risk of injury or death from fall throughs, and the safety of others is of the utmost importance to VELUX. VELUX recommends that the customer, building owner or manager use additional protection with the skylight such as an exterior or interior safety cage, to enhance long-term safety. The building owner or manager is responsible for providing fall protection around the skylight in accordance with OSHA regulations. VELUX also recommends that the building owner or manager restrict roof access only to personnel who have been cautioned as to the location of the skylights, and warned not to sit, step or walk on the skylights.

Standard Info

Finishing:

Frame: White PVC

Retainer: Mill. Other Wasco finishes also available, contact factory for information.

Glazing:

Double Dome: Satin Sky 2 Infrared Blocking Outer Dome over Clear Inner Dome.

Triple Dome: Satin Sky 2 Infrared Blocking Outer Dome over Two Clear Inner Domes.

Sizes

CURB-MOUNT DOME (ESS2 / DDDSS2)

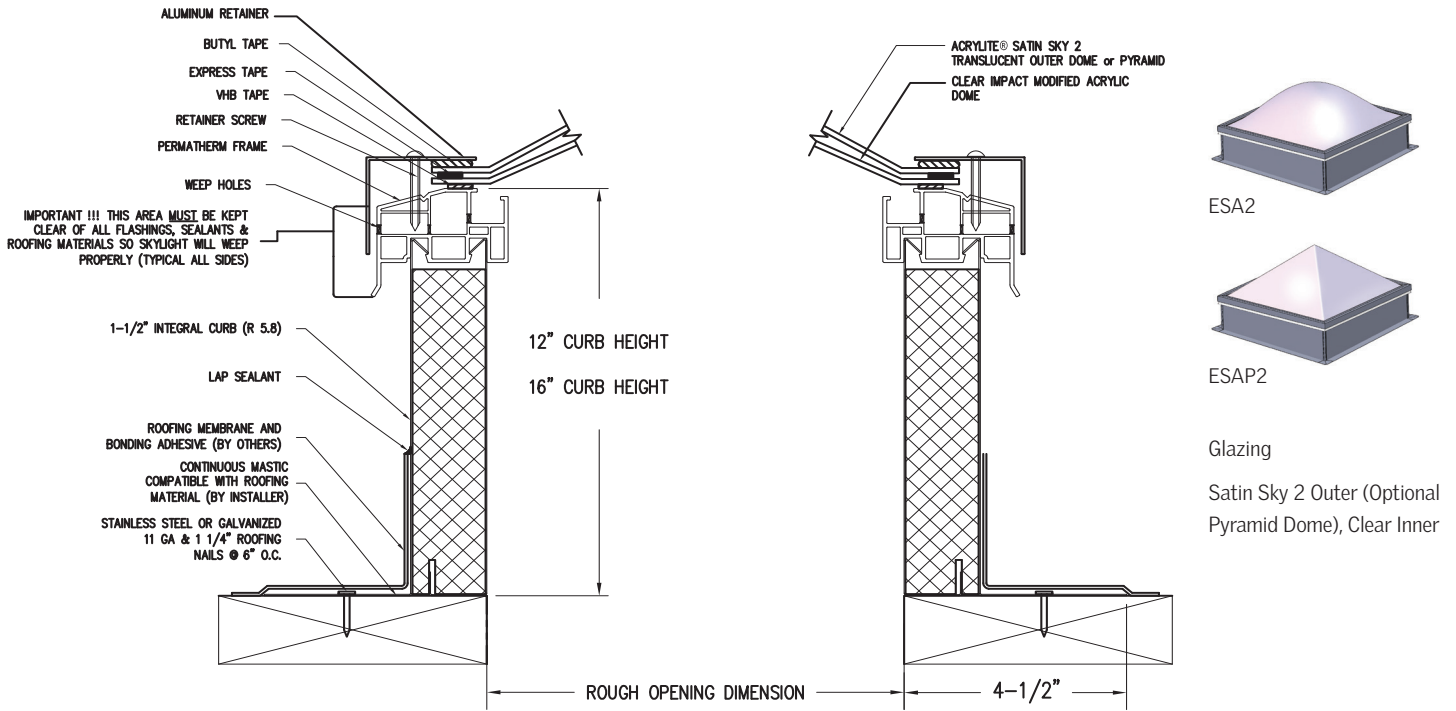
Available options: P = Pyramid Dome

12 = 12" High Curb 16 = 16" High Curb

Double Dome Model	Triple Dome Model	Rough Opening
ESA[P]2[12/16]-2828	DDDSA2 [12/16]-2828	22 ¼" x 22 ¼"
ESA[P]2[12/16]-2852	DDDSA2 [12/16]-2852	22 ¼" x 46 ¼"
ESA[P]2[12/16]-3636	DDDSA2 [12/16]-3636	30 ¼" x 30 ¼"
ESA[P]2[12/16]-3652	DDDSA2 [12/16]-3652	30 ¼" x 46 ¼"
ESA[P]2[12/16]-4242	DDDSA2 [12/16]-4242	37" x 37"
ESA[P]2[12/16]-4280	DDDSA2 [12/16]-4280	37" x 75"
ESA[P]2[12/16]-5252	DDDSA2 [12/16]-5252	46 ¼" x 46 ¼"
ESA[P]2[12/16]-5276	DDDSA2 [12/16]-5276	46 ¼" x 69 ½"
ESA[P]2[12/16]-5296	DDDSA2 [12/16]-5296	46 ¼" x 89 ½"
ESA[P]2[12/16]-5555	DDDSA2 [12/16]-5555	48" x 48"
ESA[P]2[12/16]-55102	DDDSA2 [12/16]-55102	48" x 96"
ESA[P]2[12/16]-6060	DDDSA2 [12/16]-6060	55" x 55"
ESA[P]2[12/16]-6476	DDDSA2 [12/16]-6476	57 ½" x 69 ½"
ESA[P]2[12/16]-6496	DDDSA2 [12/16]-6496	57 ½" x 89 ½"

EcoSky Deck-Mount Technical Information

ESA2 – EcoSky Double Dome Deck Mount



DDDSA2 – EcoSky Triple Dome Deck Mount

