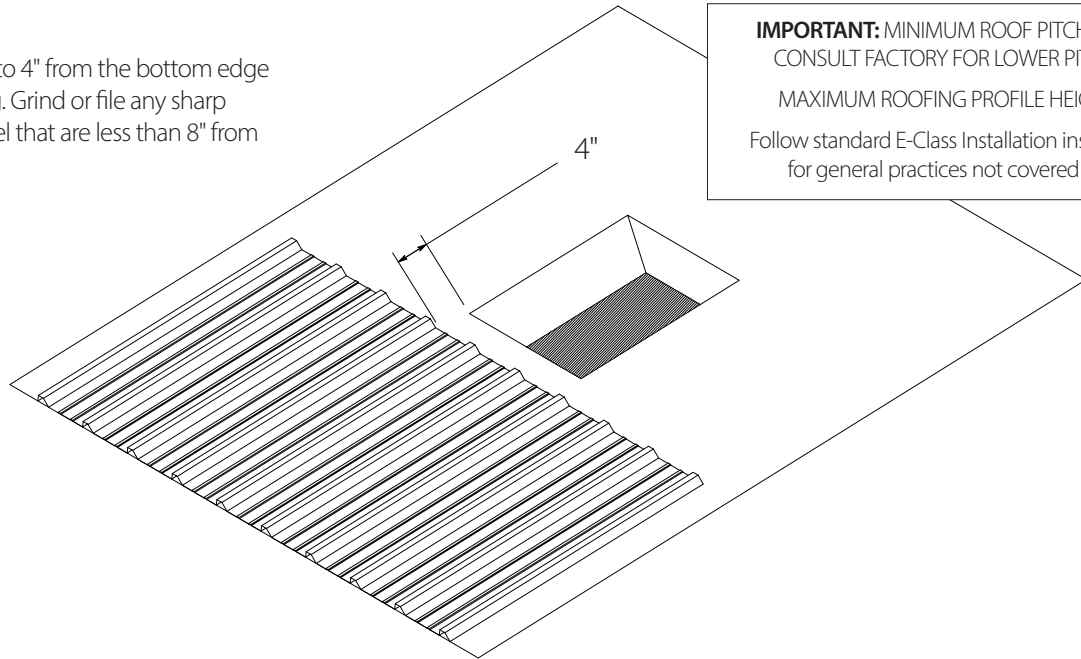


# E-Class Installation Supplement Metal Roof Adapter

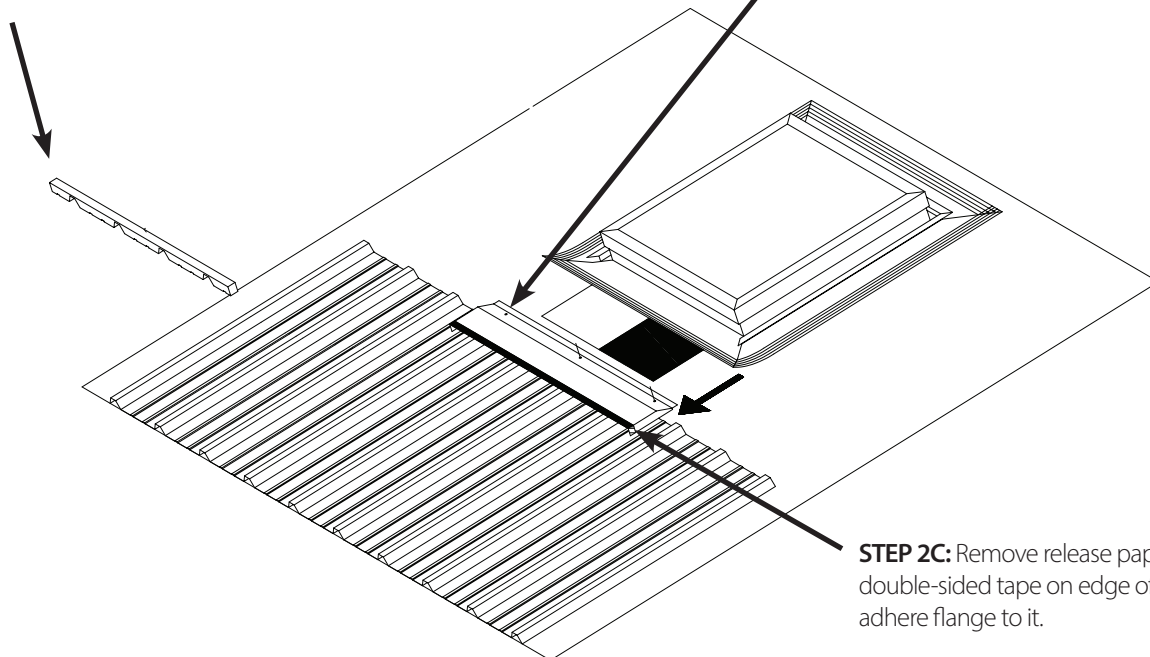


**STEP 1:** Install roofing to 4" from the bottom edge of the skylight opening. Grind or file any sharp edges on the roof panel that are less than 8" from the rough opening.



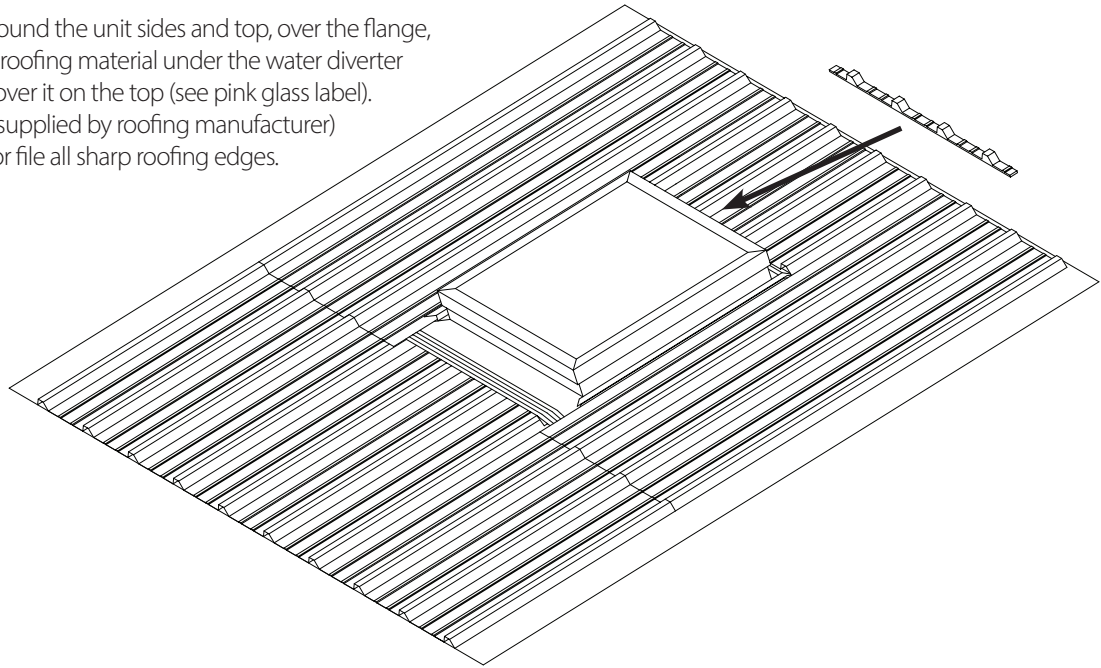
**STEP 2A:** Install foam filler gasket (supplied by roofing manufacturer) in sill flashing (supplied by Wasco), insert flashing into pocket under flange on E-Class skylight.

**STEP 2B:** Lift flange and screw flashing to roof deck. Install hold down clips around the remaining three sides of the E-Class unit. (See E-Class installation guide)

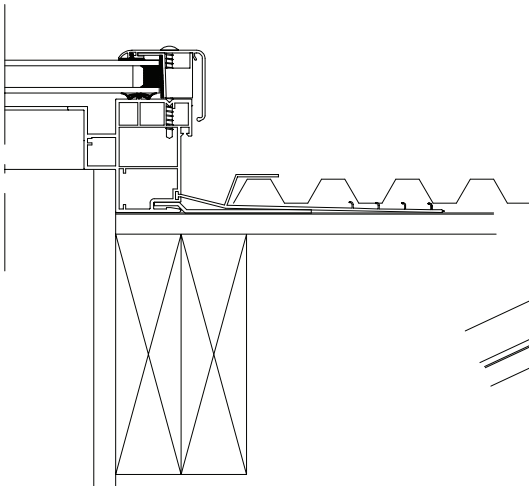


## E-Class Installation Supplement - Metal Roof Adapter

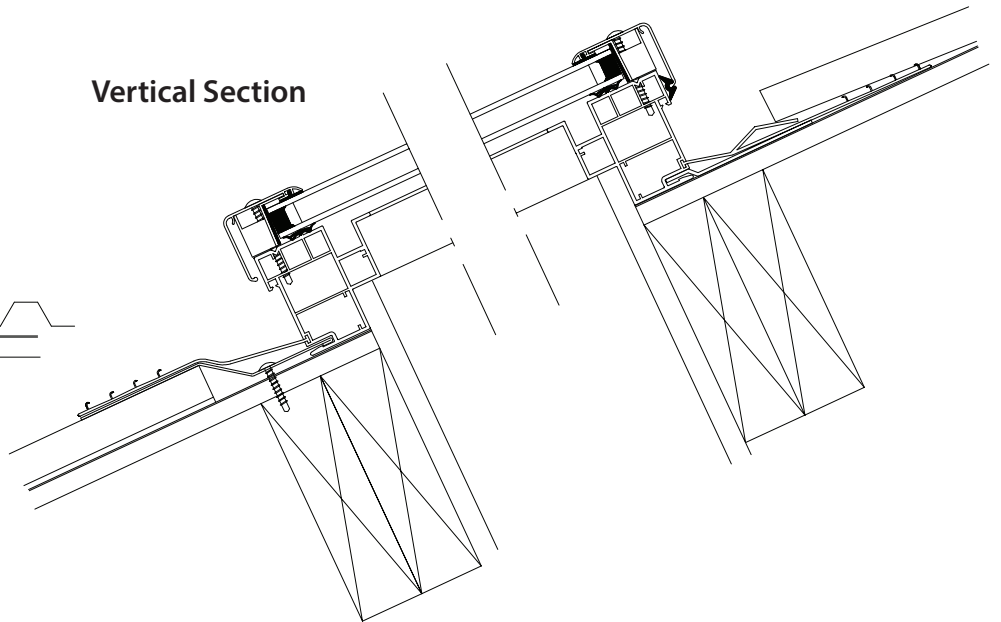
**STEP 3:** Install roofing around the unit sides and top, over the flange, keeping the edge of the roofing material under the water diverter gasket on the sides and over it on the top (see pink glass label). Install foam filler gasket (supplied by roofing manufacturer) at the top of unit. Grind or file all sharp roofing edges.



**Horizontal Section**



**Vertical Section**



**IMPORTANT:** MINIMUM ROOF PITCH 4 IN 12. CONSULT FACTORY FOR LOWER PITCHES.

MAXIMUM ROOFING PROFILE HEIGHT 1"

Follow standard E-Class Installation instructions for general practices not covered here.