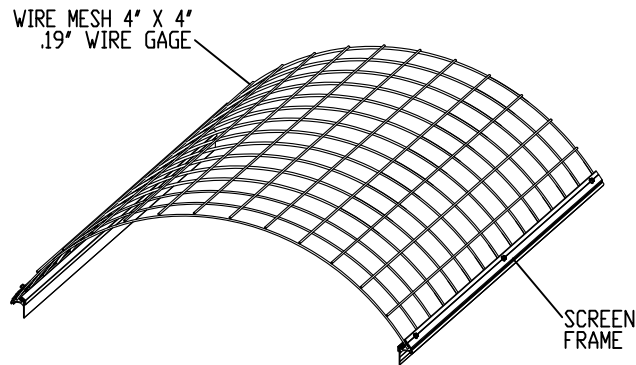


① SIDE SILL SECTION
SCALE: 6"=1'-0"



GENERAL NOTES:

1. SCREEN MATERIAL – GALVANIZED STEEL
2. RISE IS STD. TO ALLOW CLEARANCE ABOVE A NOMINAL 25% DOME RISE.
3. LARGER UNITS WILL HAVE A SPLICE JOINING TWO SMALLER SECTIONS OF SCREEN MATERIAL.
4. SCREEN WIDTH CAN BE ADJUSTED TO ACCOMODATE A UNIT VARIATION OF APPROXIMATELY 4" (DETAIL A)
5. SCREEN FRAME – MILL FINISH ALUMINUM ONLY.
6. ASSEMBLY FASTENERS – STAINLESS STEEL

Wasco Part of
VELUX Commercial

VELUX Wells
85 Spencer Dr, Unit A
Wells, ME 04090
1-800-88-VELUX
veluxusa.com

08/2019

DRAWING NO.:
FALL SCREEN

REV SHEET
E 1 OF 1

ORDER #: _____ DATE: _____

PROJECT: _____

LOCATION: _____

CUSTOMER: _____

APPROVED: _____ DATE: _____

WASCO MODEL or ODC	BAY SPACING	QUANTITY

NON-WASCO PRODUCT

ARC LENGTH ALONG CAP		
# of CENTER BAYS		
CENTER BAY SPACING		
END BAY SPACING		
UNIT QUANTITY		

MATERIAL:

GALVANIZED STEEL

BARREL VAULT FALL PROTECTION SCREEN