

Notice: This is a reproduction of a Wasco Products drawing and is supplied only for an authorized job. This drawing must not be used for construction or fabrication until signed as checked and issued for construction.



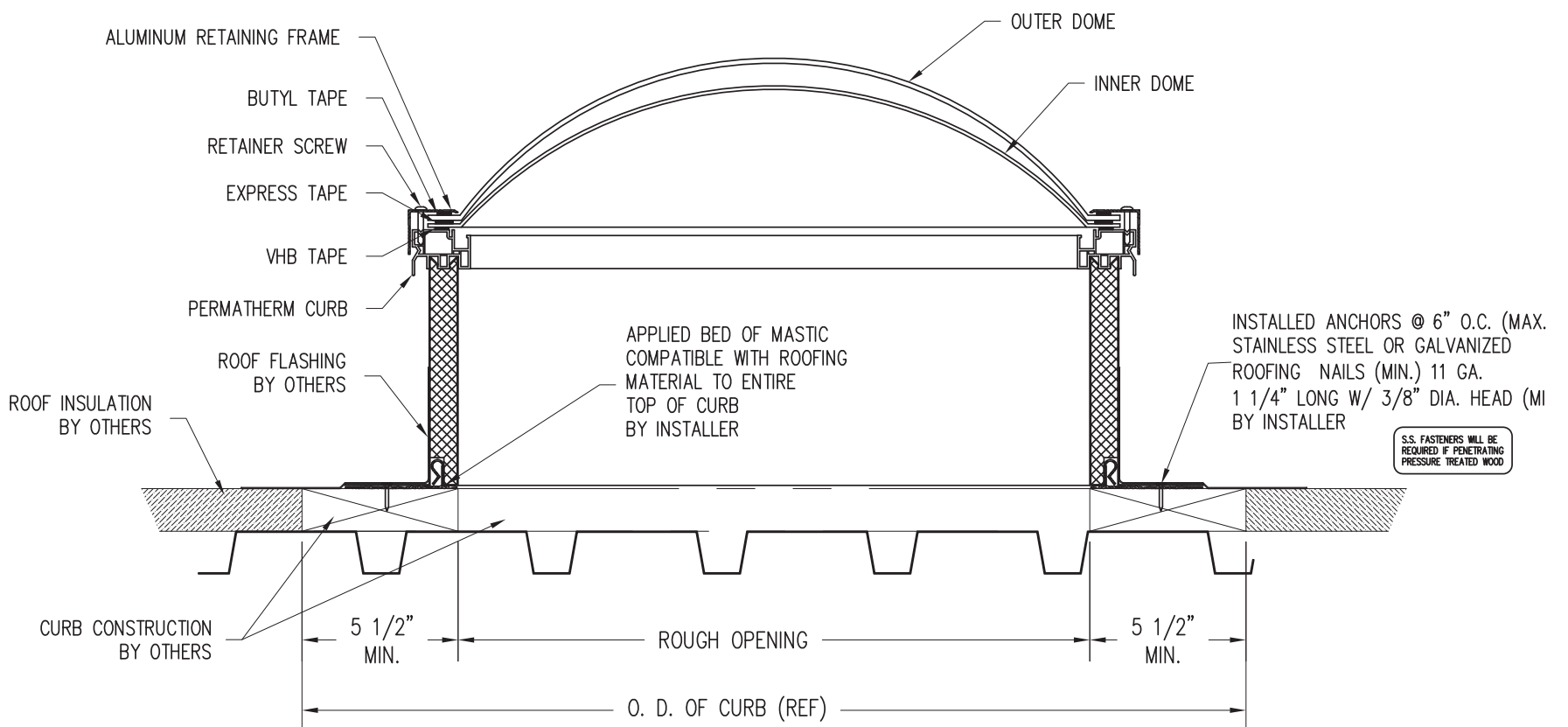
SAFETY CONSIDERATIONS: WASCO SKYLIGHTS ARE DESIGNED TO WITHSTAND NORMAL ELEMENTS OF THE WEATHER. THEY ARE NOT DESIGNED TO WITHSTAND HUMAN IMPACT OR FALLING OBJECTS. THESE SKYLIGHTS SHOULD NOT BE WALKED UPON UNDER ANY CIRCUMSTANCES. THE OWNER OR DESIGNER SHOULD RESTRICT ACCESS ONLY TO AUTHORIZED PERSONNEL WHO HAVE BEEN ADEQUATELY CAUTIONED AS TO THE LOCATION OF THE SKYLIGHTS AND INFORMED OF THE WARNING ABOVE, OR SAID OWNER SHOULD PROVIDE PROTECTIVE GUARD RAILS OR SCREENS AROUND THE SKYLIGHT.

- Step 1.) Check curb(s) for proper dimension (R. O. Curb), square and flat .
- Step 2.) Apply bed of mastic (compatible with roofing material) to top of curb(s). Mastic is to be furnished by the installer.
- Step 3.) Remove unit(s) from box or crate and place on curb. Center unit on rough opening (R. O.) curb. CAUTION: Do not remove units and lay flat on roof. Heat build up could deform domes.
- Step 4.) Install 11 GA 1 1/4" long stainless steel or galvanized roofing nails with minimum 3/8" dia. heads at 6" O. C. through 3" wide nailing flange. Note: If anchors are going into pressure treated wood, stainless steel anchors are required.
- Step 5.) Flash curb into roofing system following roofing manufacturers recommendation.
- Step 6.) Installation is complete. Read Care and Maintenance information for proper care of your new Wasco Products, Inc. unit skylights.

Installation Instructions for Self Flashing Unit Skylights



Installation Instructions for Self Flashing Unit Skylights

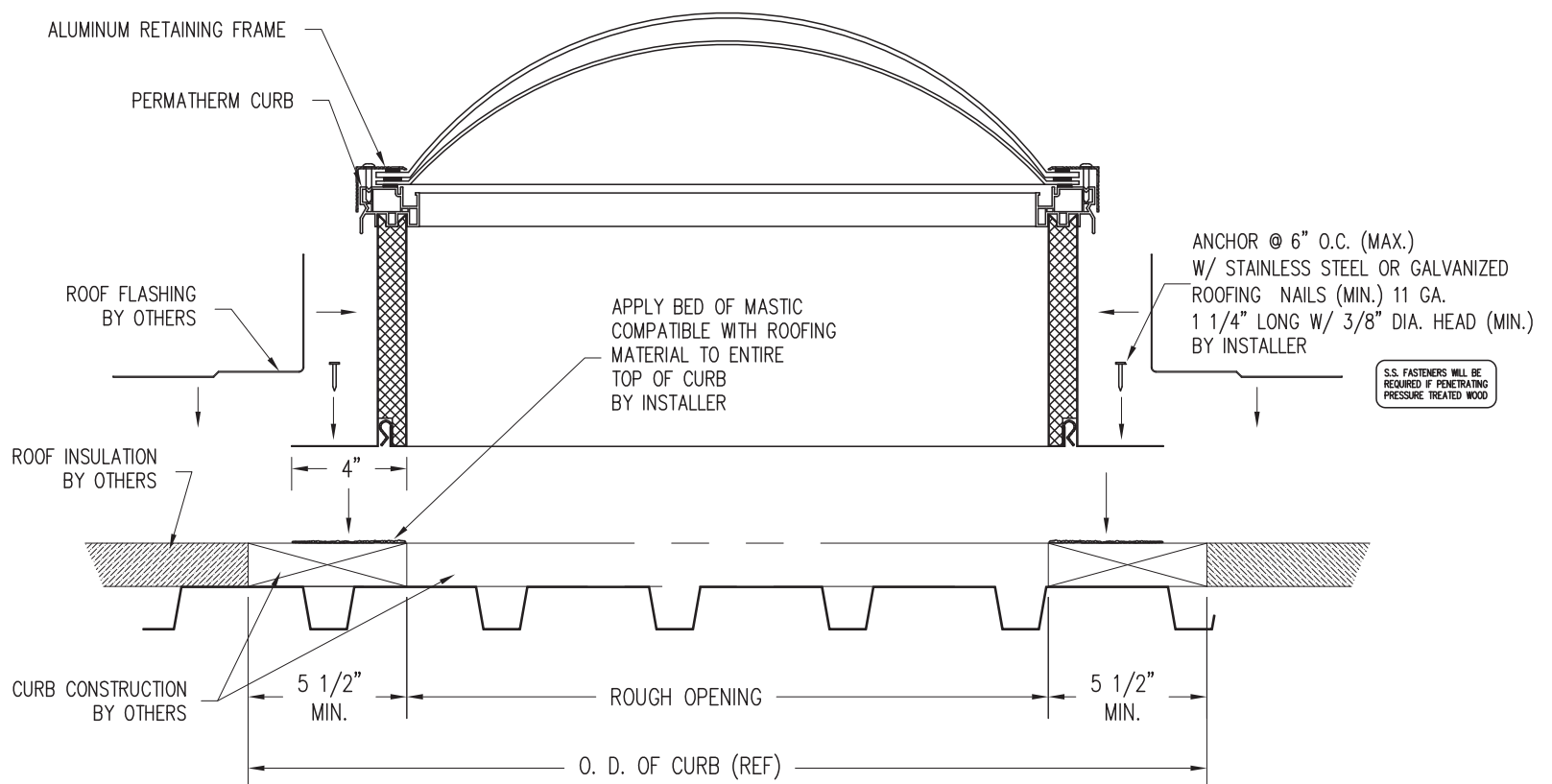
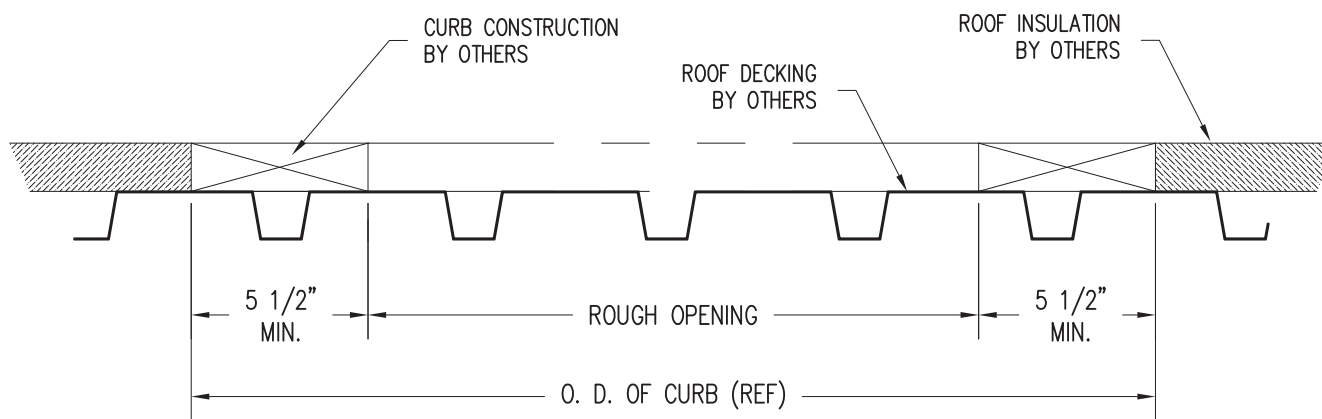
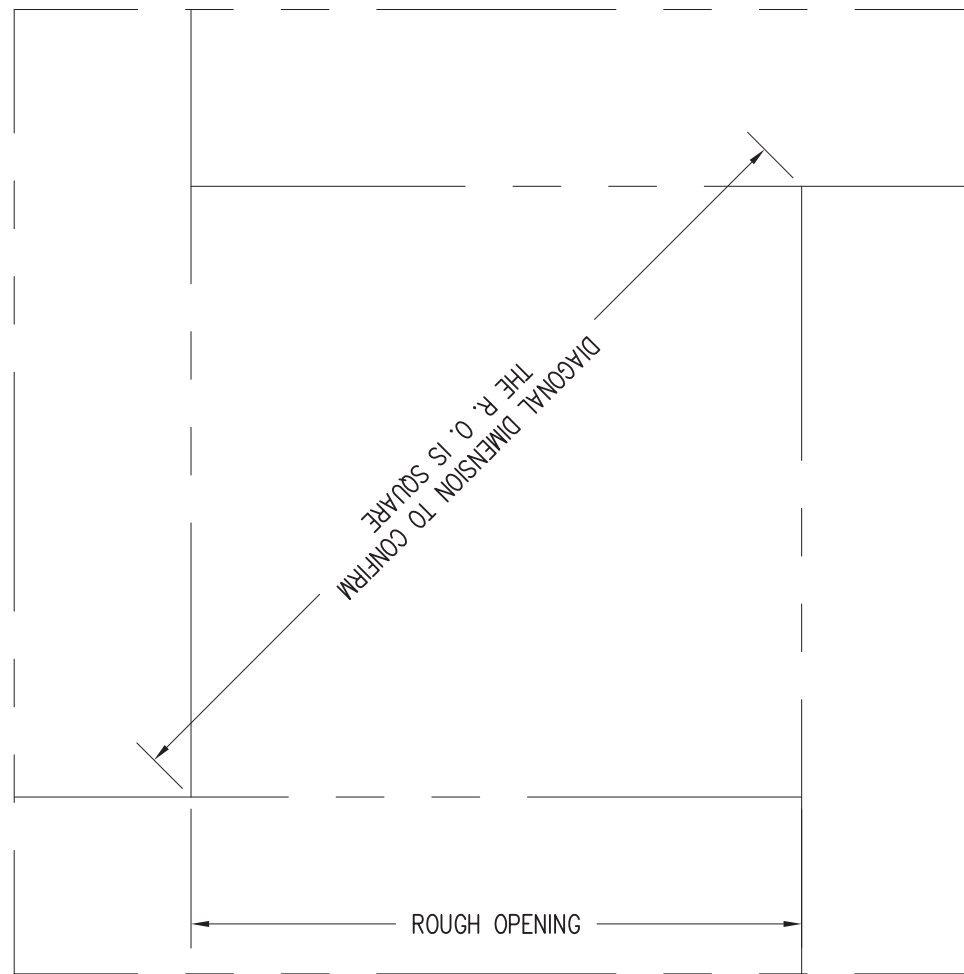


COMPLETED INSTALLATION



SAFETY CONSIDERATIONS: WASCO SKYLIGHTS ARE DESIGNED TO WITHSTAND NORMAL ELEMENTS OF THE WEATHER. THEY ARE NOT DESIGNED TO WITHSTAND HUMAN IMPACT OR FALLING OBJECTS. THESE SKYLIGHTS SHOULD NOT BE WALKED UPON UNDER ANY CIRCUMSTANCES. THE OWNER OR DESIGNER SHOULD RESTRICT ACCESS ONLY TO AUTHORIZED PERSONNEL WHO HAVE BEEN ADEQUATELY CAUTIONED AS TO THE LOCATION OF THE SKYLIGHTS AND INFORMED OF THE WARNING ABOVE, OR SAID OWNER SHOULD PROVIDE PROTECTIVE GUARD RAILS OR SCREENS AROUND THE SKYLIGHT.

Notice: This is a reproduction of a Wasco Products drawing and is supplied only for an authorized job. This drawing must not be used for construction or fabrication until signed as checked and issued for construction.



SAFETY CONSIDERATIONS: WASCO SKYLIGHTS ARE DESIGNED TO WITHSTAND NORMAL ELEMENTS OF THE WEATHER. THEY ARE NOT DESIGNED TO WITHSTAND HUMAN IMPACT OR FALLING OBJECTS. THESE SKYLIGHTS SHOULD NOT BE WALKED UPON UNDER ANY CIRCUMSTANCES. THE OWNER OR DESIGNER SHOULD RESTRICT ACCESS ONLY TO AUTHORIZED PERSONNEL WHO HAVE BEEN ADEQUATELY CAUTIONED AS TO THE LOCATION OF THE SKYLIGHTS AND INFORMED OF THE WARNING ABOVE, OR SAID OWNER SHOULD PROVIDE PROTECTIVE GUARD RAILS OR SCREENS AROUND THE SKYLIGHT.

Notice: This is a reproduction of a Wasco Products drawing and is supplied only for an authorized job. This drawing must not be used for construction or fabrication until signed as checked and issued for construction.