

Minimum Roof Pitch of 3" in 12". Not for vertical applications.

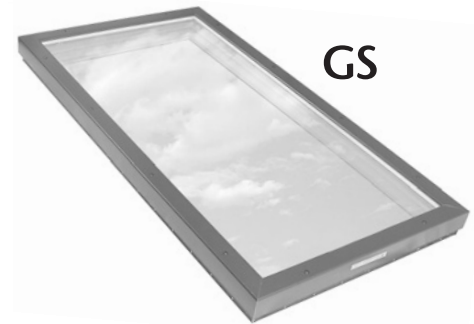
SAFETY CONSIDERATIONS

While Wasco Skylights are designed to support the weight of snow, ice and the force of normal winds, they are not designed to withstand the weight of people. If human safety becomes considerations, skylights should be protected by railings, grids or screens.

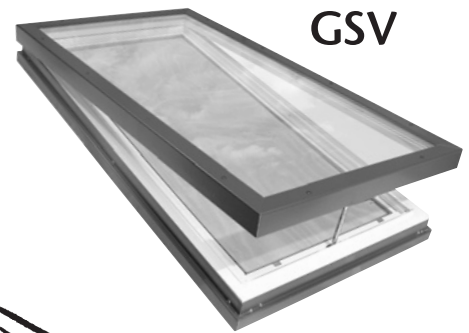
READ THE INSTRUCTIONS. Proper installation is the key to a trouble-free skylight. Skylights must be installed with a roofing cement or Wasco Superseal installation kit. Use a high-quality, trowel consistency roof mastic. Do not use silicones or urethane sealants. Wasco Superseal may be purchased as a substitute for mastic. Every installation is unique and Wasco cannot control the conditions and the quality of the work that is done. Wasco assumes no responsibility for improper installation or noncompliance with all applicable building codes.



GSD



GS



GSV

SECTION 1 – CURB CONSTRUCTION DETAILS

IMPORTANT NOTE: 1-1/2" – wide curb material and a standard rough opening will yield the above curb dimension. To use a wider curb, reduce the size of the rough opening accordingly.

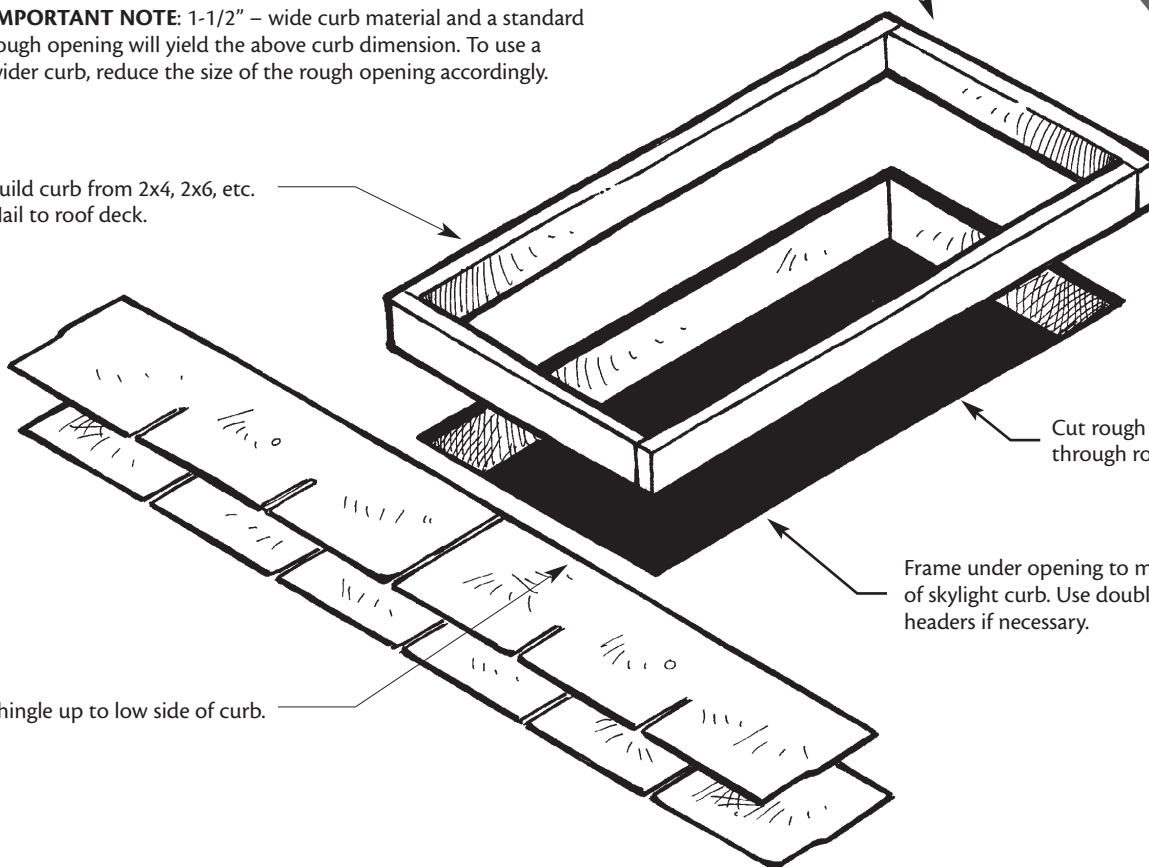
Build curb from 2x4, 2x6, etc.
 Nail to roof deck.

Do not exceed max.
 curb dimensions.

Cut rough opening
 through roof deck.

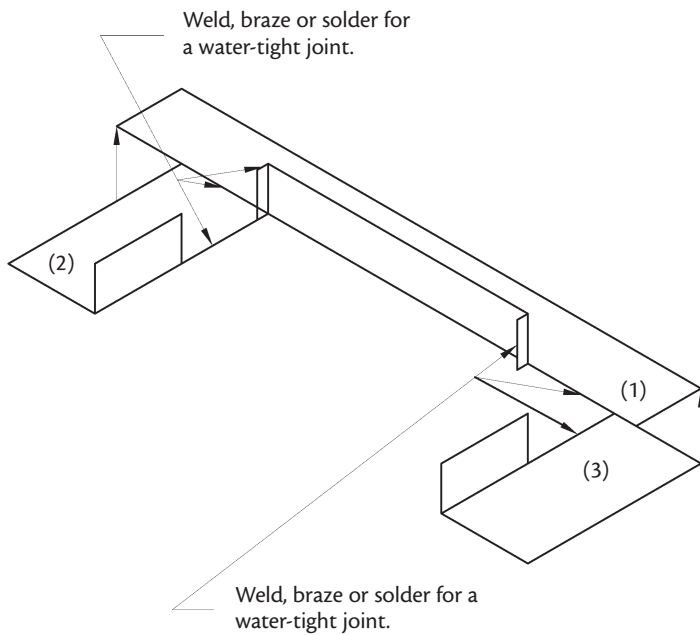
Frame under opening to match inside
 of skylight curb. Use double rafters and
 headers if necessary.

Shingle up to low side of curb.



SECTION 2 – FLASHING CONSTRUCTION DETAILS

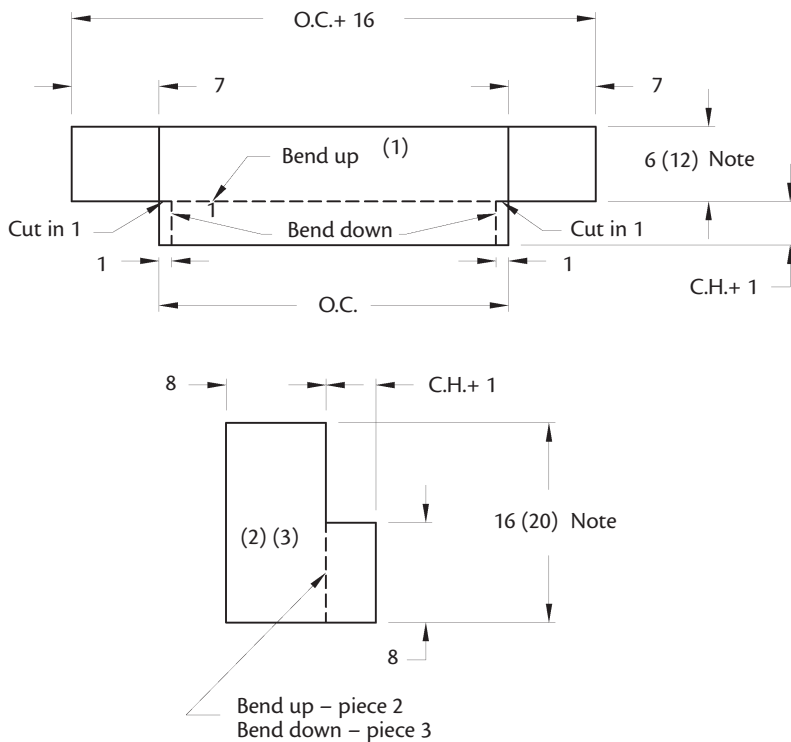
HEAD AND SILL DETAIL



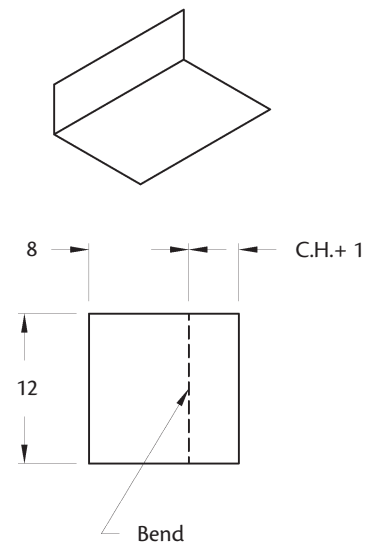
IMPORTANT NOTES

1. Head flange width should be increased to 12 or more for roof pitches less than 5 in 12
2. O.C. – Outside dimension of curb width
3. C.H. – Curb height
4. Dimensions are in inches
5. All bends are 90°

FLASHING MATERIALS	THICKNESS
COPPER	16 OZ
ALUMINUM	0.040"
STAINLESS STEEL	26 GA
GALVANIZED STEEL	24 GA



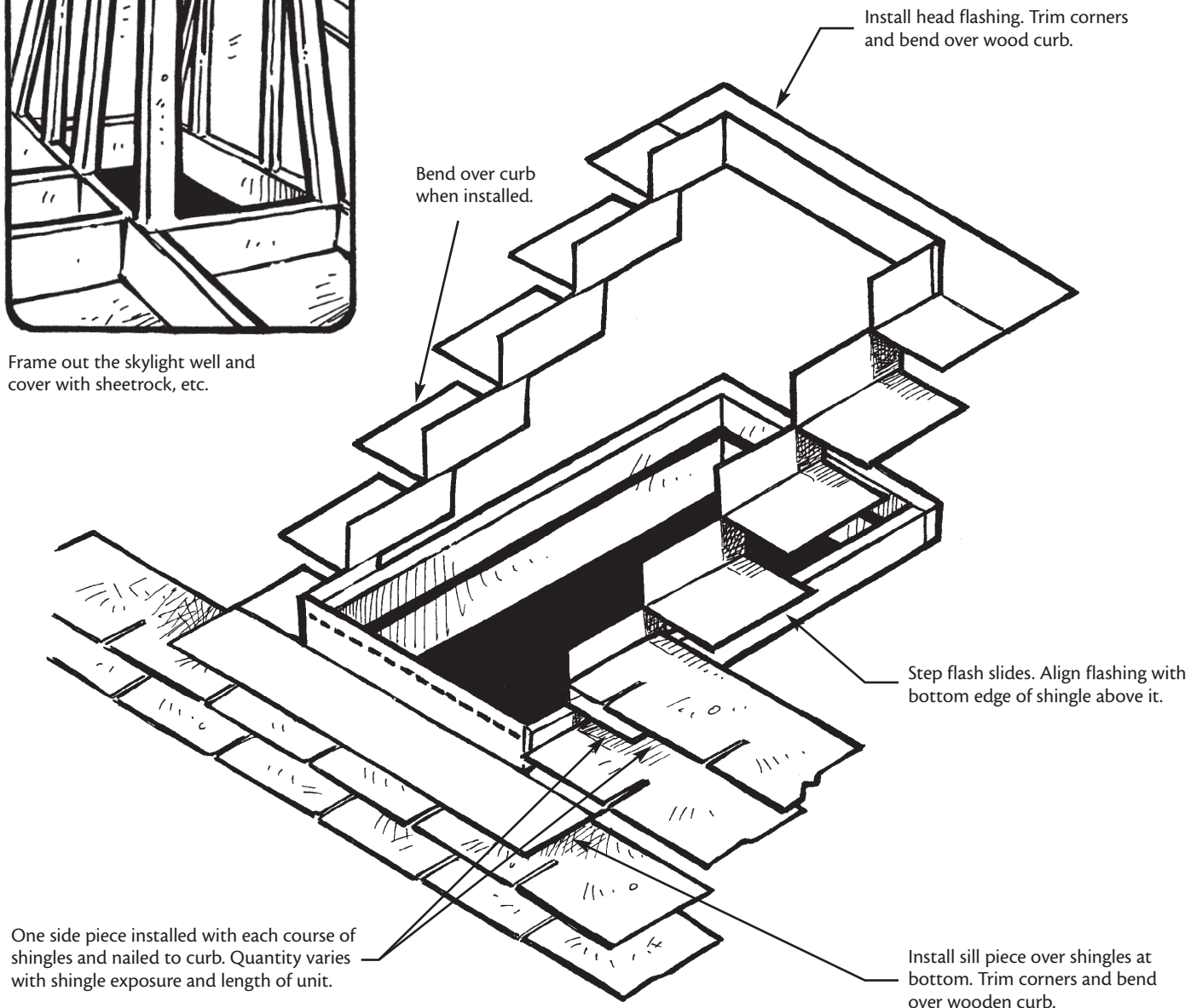
SIDE FLASHING DETAIL



SECTION 3 – FLASHING THE WOOD CURB

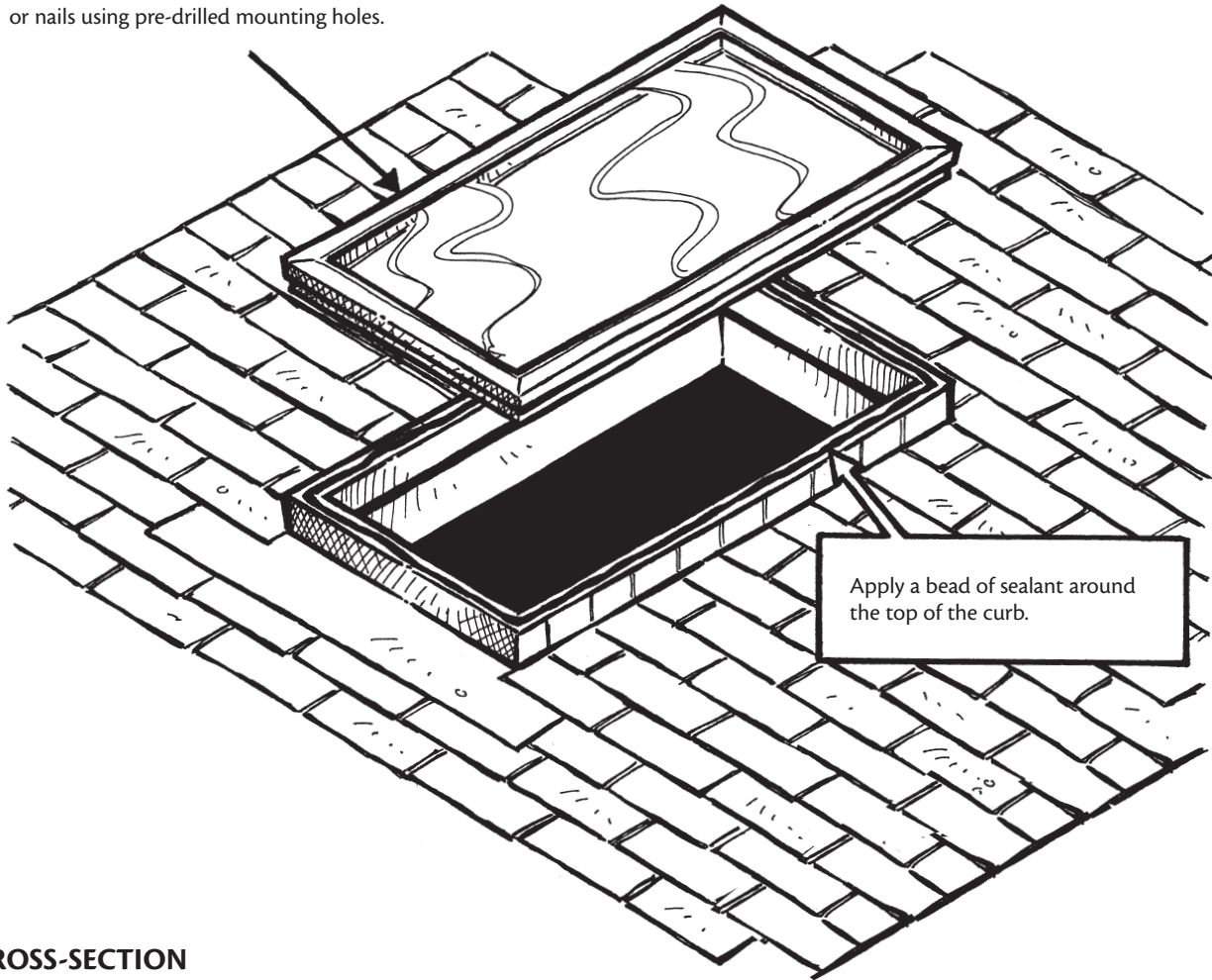


Frame out the skylight well and cover with sheetrock, etc.

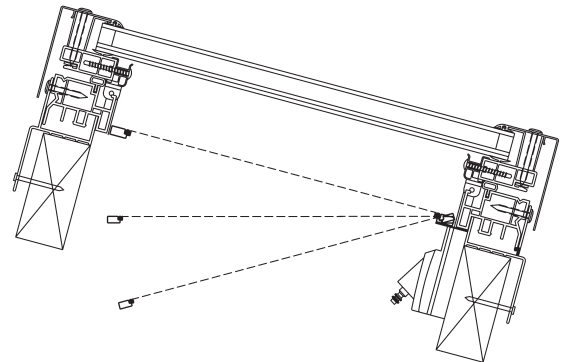
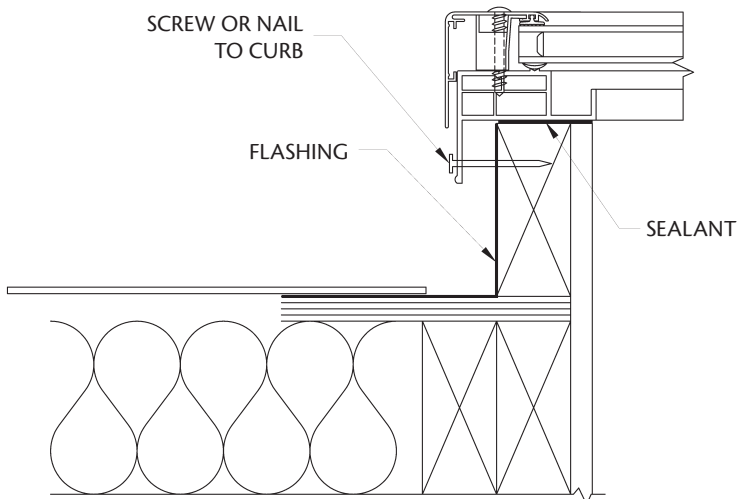


SECTION 4 – INSTALLING THE UNIT

Place unit on curb and attach with screws or nails using pre-drilled mounting holes.



CROSS-SECTION



Be sure to allow for screen removal on vent units.