

1/4-14 STAINLESS STEEL
HEX HEAD SCREWS WITH
SEALED WASHERS AT 12" O.C.

"T" GASKET TYP.

CONTINUOUS
URETHANE SEALANT
(FURNISHED BY WASCO)

ALUMINUM SPACER
WELDED TO RAFTER

.062 ALUMINUM CLOSURE

#14 X 1" TEK SCREW

RAKE SASH

#14 PHILLIPS
FLAT HEAD SCREW

CONTINUOUS
URETHANE SEALANT
(FURNISHED BY WASCO)

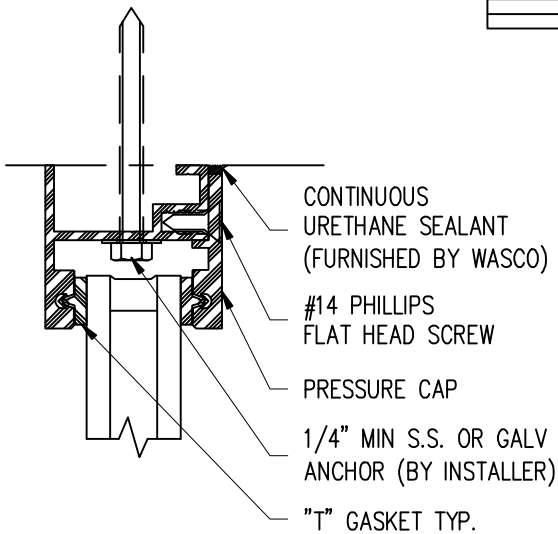
PRESSURE CAP

CONTINUOUS
SILICONE SEALANT
(FURNISHED BY WASCO)

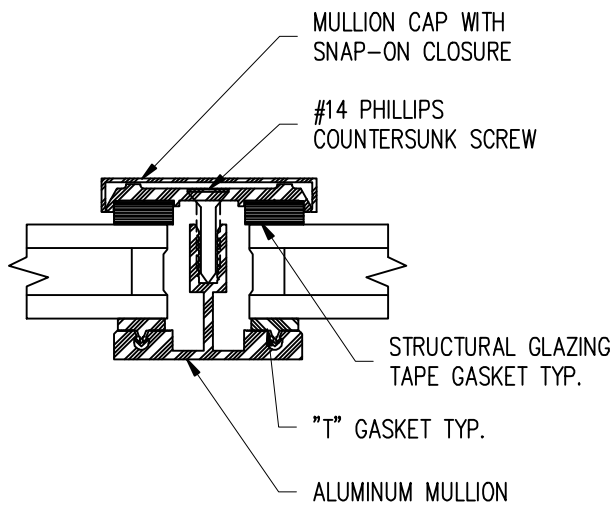
CONTINUOUS
URETHANE SEALANT
(FURNISHED BY WASCO)

CONTINUOUS MASTIC
COMPATIBLE W/ROOFING
MATERIAL (BY INSTALLER)

1/4" MIN S.S. OR GALV
ANCHOR (BY INSTALLER)



DETAIL "B"/D6"
VERTICAL END
(AT LEAN-TO WALL)



DETAIL "A"/D6"
VERTICAL MULLION
(IF REQUIRED)

3/8" X 4" RUBBER
GLAZING BUMPER
(2 PER LITE)

"T" GASKET TYP.

SILL AND
WALL SASH

CURB BY
OTHERS
(SEE NOTE)

4" MIN

3/4"

O.D. OF CURB (SEE PLAN)



WASCO PRODUCTS, INC.

22 PIONEER AVENUE, SANFORD, MAINE 04073
(207) 324-8060, FAX (207) 490-5271

**PINNACLE 350
VERTICAL END
DETAIL**

D6